

INSTALLATION INSTRUCTIONS

6MM SLIDING DOOR



Drill



6mm Masonry Drill



Pencil



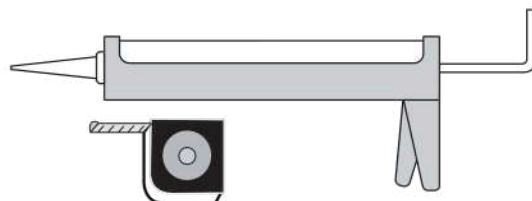
PH2 Screwdriver



3mm Drill bit



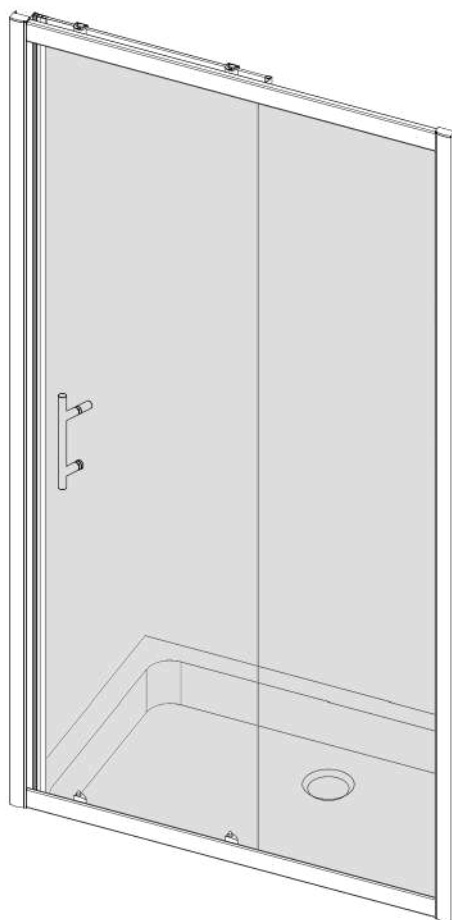
Spirit level



Tape Measure

Sealant Gun

Tools Required (not supplied)



Important Safety/Assembly Instructions

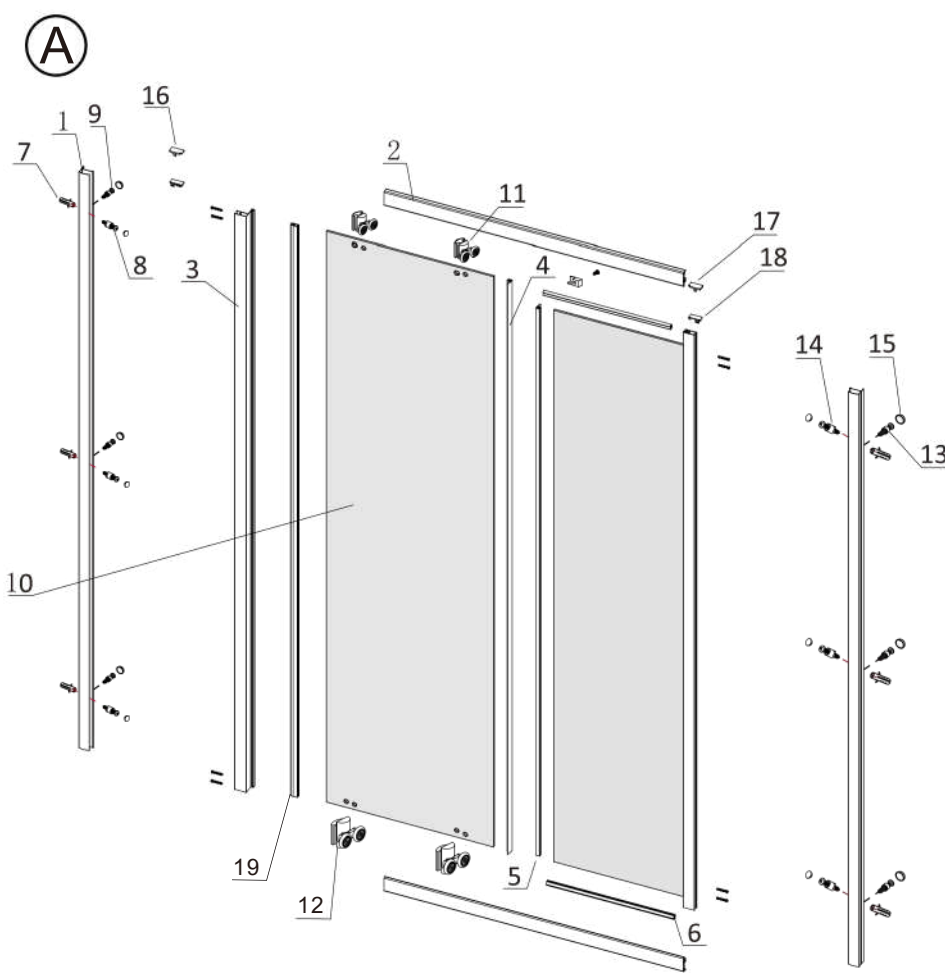
This product should be installed by a suitably qualified and proficient person. The fitting instructions should be followed carefully to ensure a proper and safe installation. Failure to follow these instructions could result in future injury.

These instructions and list of parts assume that installation is done against solid/tiled walls.

Please check this product for damage prior to starting the installation. No claims can be made after the product has been fitted.

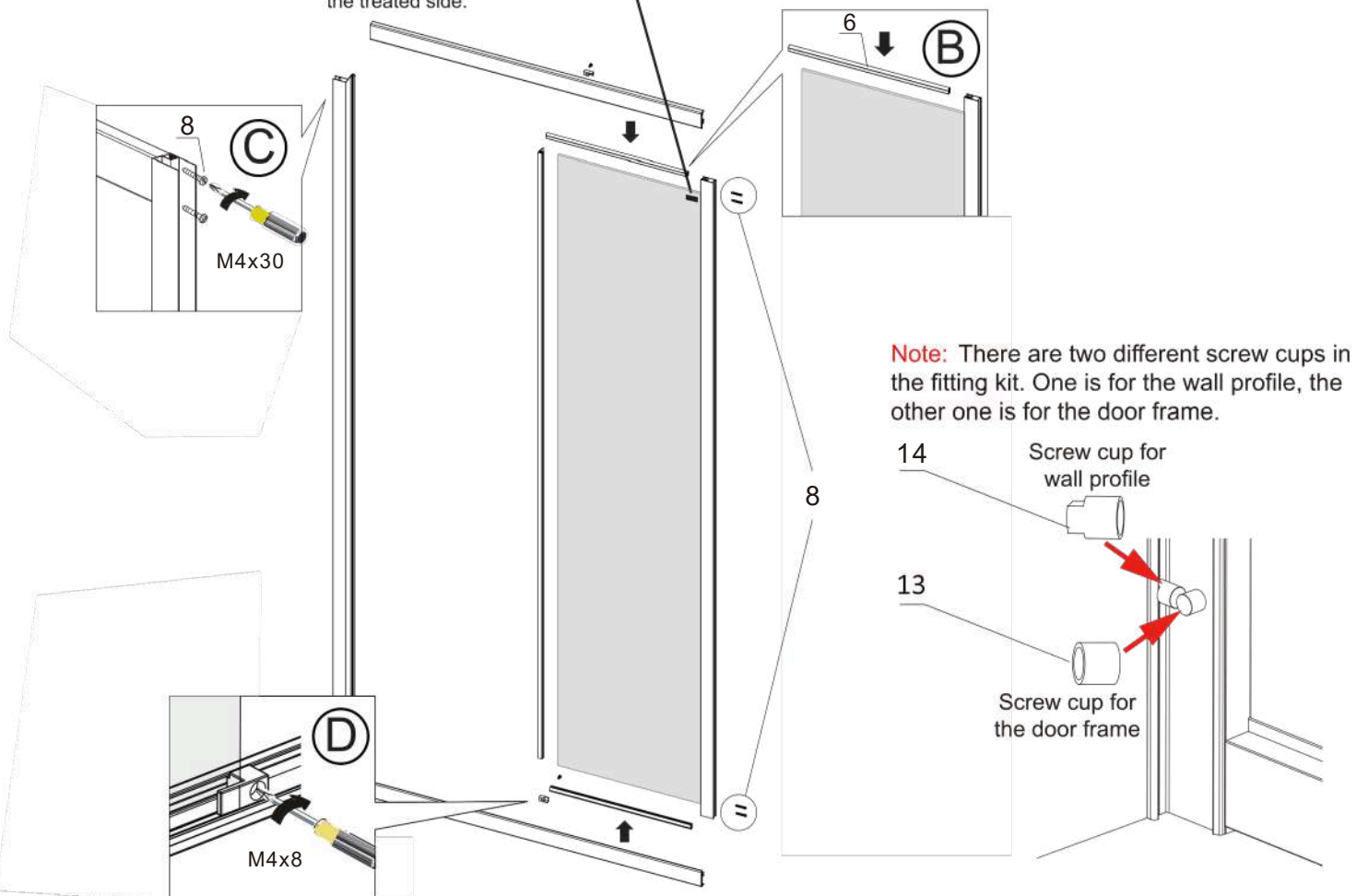
PLEASE NOTE :The minimum and maximum adjustment sizes noted on the product brochures are based on perfectly plumb walls and trays.

The instruction is for reference only. The number/specification of fitting depends on the actual situation.



Item	Description	Image	Qty
1	Wall Profile		2
2	Top & Bottom Rail		2
3	Magnetic Profile		1
4	Vertical Seal Longer		1
5	Vertical Seal Shorter		1
6	Gasket Seal		2
7	Wall Plug		6
8	Screw M4x30		14
9	Screw M4x10		6
10	Handle		1
11	Top Roller		2
12	Bottom Roller		2
13	Screw Cup A		6
14	Screw Cup B		6
15	Screw Cover Cap		12
16	Wall Profile Top Cap-LH		1
17	Wall Profile Top Cap-RH		1
18	Vertical Profile Top Cap		2
19	Magnetic Seal		1

Note: If the glass has a glass treatment, ensure that the treated side is on the inside of the enclosure. The treated side of the glass will have a label attached to the treated side.



Note: There are two different screw cups in the fitting kit. One is for the wall profile, the other one is for the door frame.

14 Screw cup for wall profile

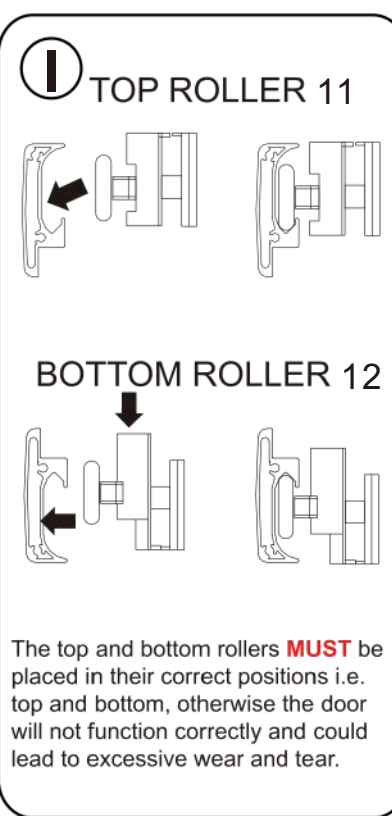
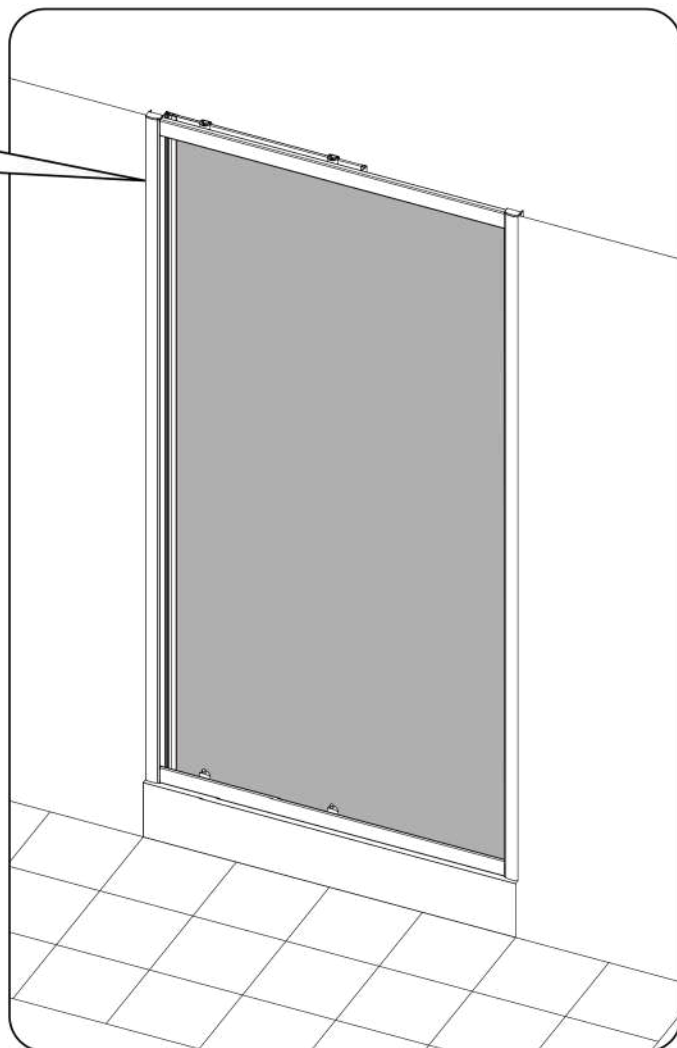
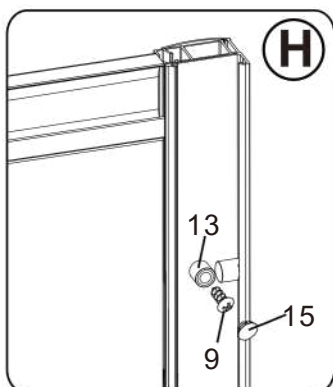
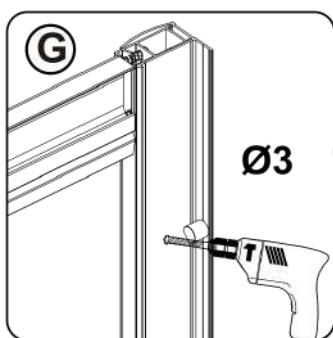
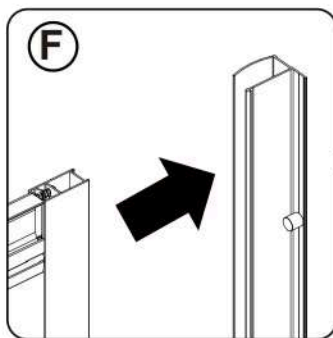
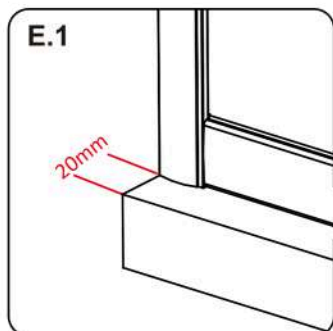
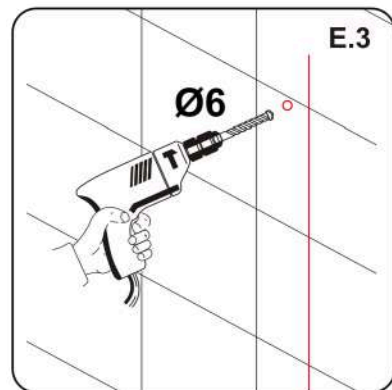
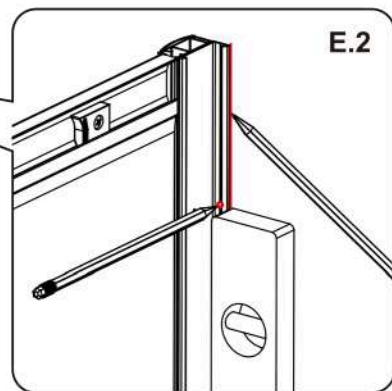
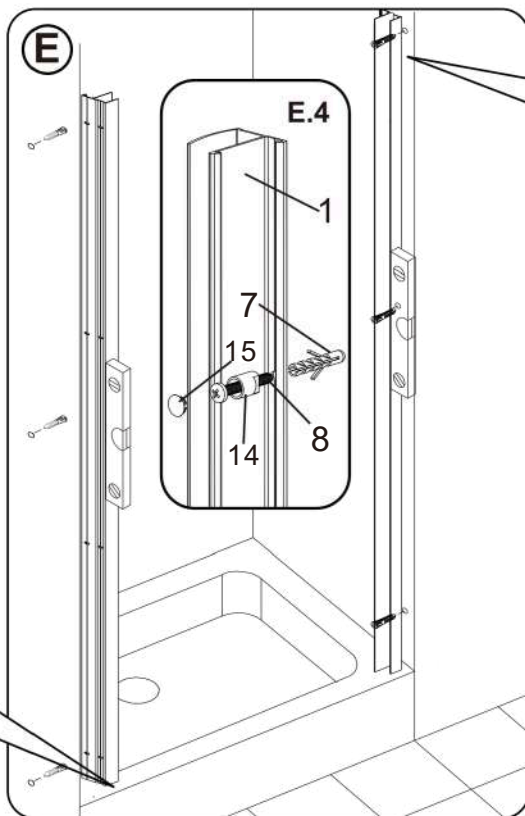
13 Screw cup for the door frame

E.1 Place the wall profiles onto the enclosure. Position the enclosure onto the tray. Ideally the enclosure should be positioned 20mm from the edge of the tray as shown. Centralize the enclosure onto the tray top rim and position vertically plumb using a spirit level.

E.2 Mark the position for fixing the wall profile using a pencil or a water soluble pen as shown.

E.3 Remove the enclosure then drill the holes to the wall using $\text{Ø}6$ drill bit as shown.

E.4 Insert the wall plugs into the wall holes. Then secure the wall profile using ST 4 x 30 screw and Screw Cup B. Then put the Screw cap on to hide the screw head.



Tips - In cold weather the seal may be more difficult to fit. In this case it is advisable to warm the seal in some warm soapy water to make it more pliable.

Applying Silicone Sealant

Sealing Inside

Seal from the top of the wall profile to the bottom on the **INSIDE** between the wall profile and the wall.

IMPORTANT: Do not apply sealant on inside of tray.

Sealing Outside

Seal only along the bottom rail and glass on the **OUTSIDE** between the profile /glass and the tray. Also up between the wall profile and the wall. Seal also the joints between the bottom profile and any upright profiles.

24 HRS



DO NOT USE THE ENCLOSURE FOR 24 HOURS AFTER SEALING

