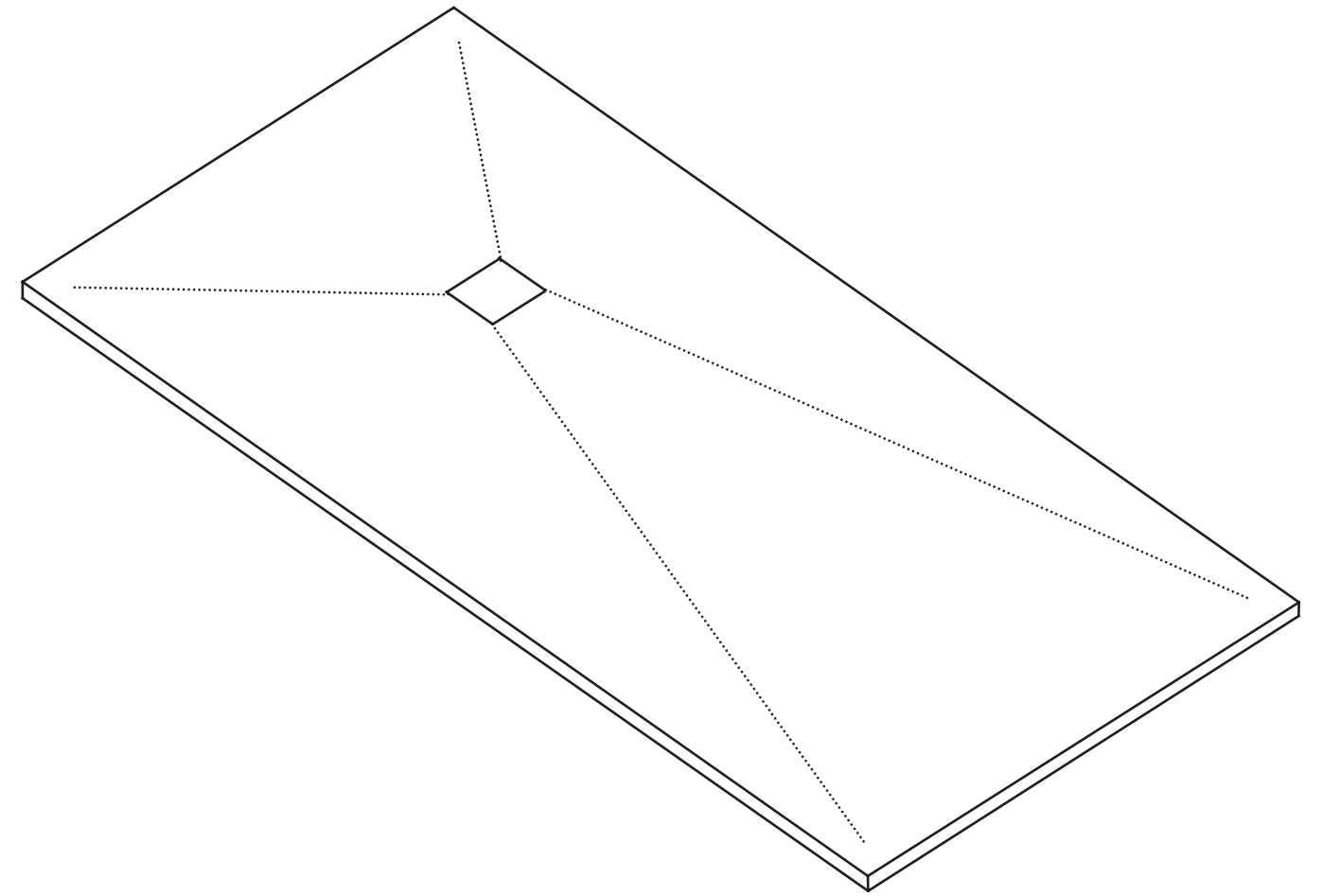


The weight and descriptions contained in this catalogue are used as guidance. The aspect of the material can vary slightly from the one shown in the images. Any unauthorised reproduction, partial or total, remains prohibited. The abovementioned violation will be prosecuted by the law.

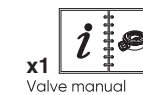
## Urban Slate

### ShowerTray

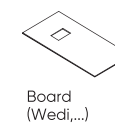
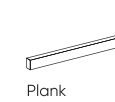
### Installation Guide UK



#### Delivery Included Items



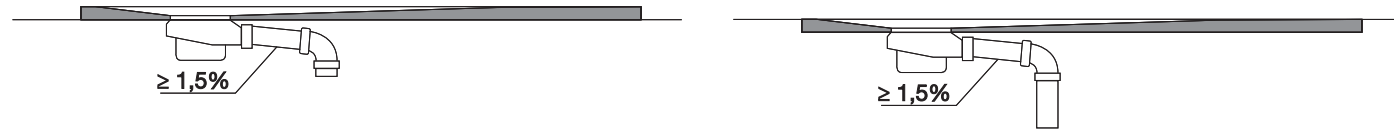
#### Necessary Tools



Installation must be performed by AUTHORISED INSTALLERS.

Store the shower tray horizontally. Do not use a cutter knife, to cut through the packaging, to avoid any damage to the shower tray.

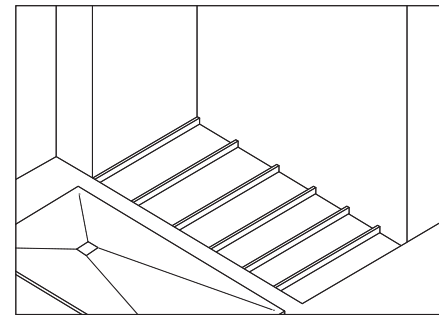
# Important warning for shower tray installation



Basic installation

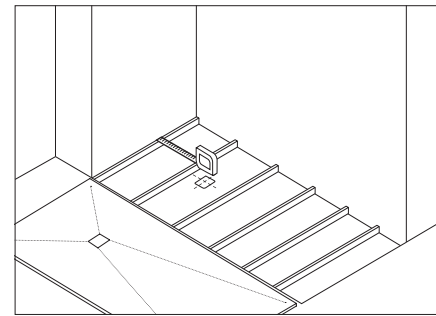
Floor level installation

Minimum slope percentage of 1,5% is required for both basic & floor level installation



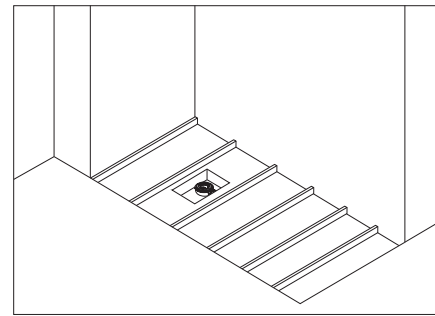
**01**  
Check the shower tray

Check that the shower tray is in perfect condition and check the size of the shower tray compared to where it will be fitted. Do not use a cutter knife to cut through the packaging, to avoid any damage to the shower tray.



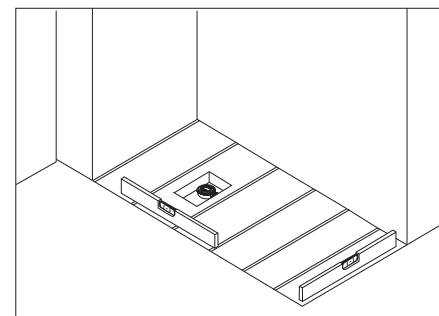
**02**  
Drain preparation

Take all applicable measurements and mark the centre of the drain on the floor.



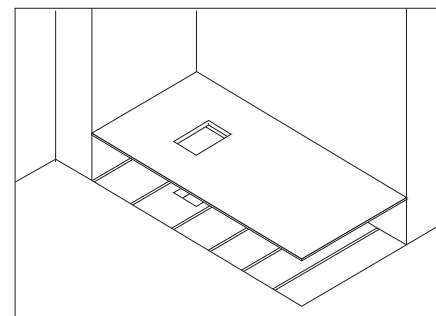
**03**  
Drain installation

Install the McAlpine trap provided following manufacturer instructions.



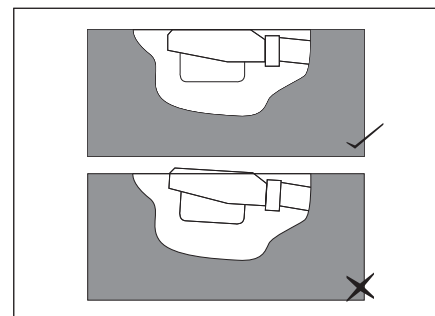
**04**  
Floor preparation

Create a flat wooden floor, using marine grade plywood boards screwed to the joists.



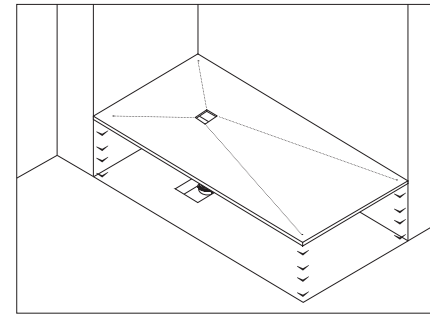
**05**  
Board installation

Fit a wedi style concrete board up to the tray checking the base and tray are level. Simply making a level cement base would also be valid, but not the most commonly used in the UK.



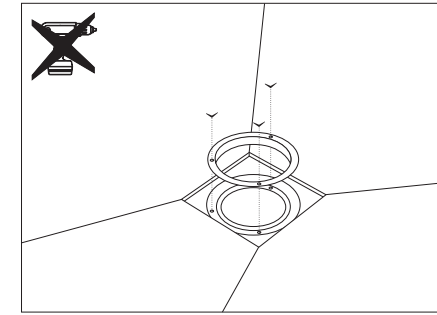
**06**  
Testing the drain levels

Test that the McAlpine trap doesn't overhang from the base, otherwise, it will not work properly. Test the drain performance by pouring water down the drain.



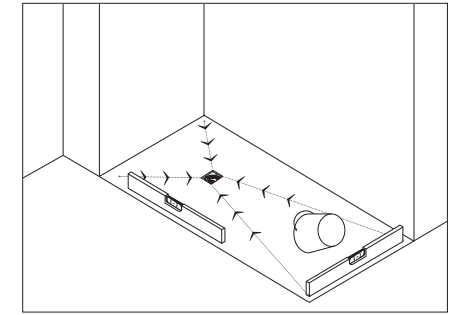
**07**  
Shower tray installation

WITHOUT ADHESIVE, place the shower tray matching up the hole with the previously installed drain.



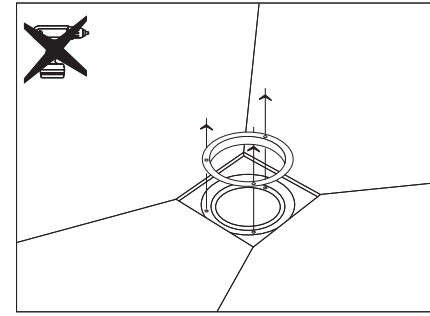
**08**  
Drain Assembly

Assemble the rubber joint ring piece in the hole of the shower tray, and then assemble the screws with the stainless steel ring, always using a standard screwdriver and not a power tool, which could damage the drain.



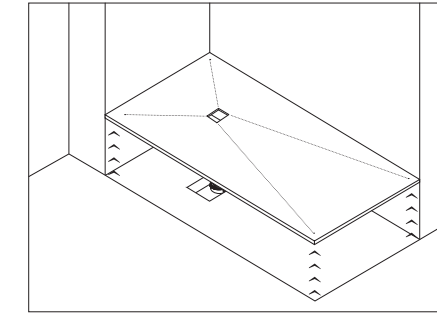
**09**  
Check the drainage of the tray

Check with water that the shower tray drains properly and is level. If there are problems with water evacuation, investigate and correct the cause.

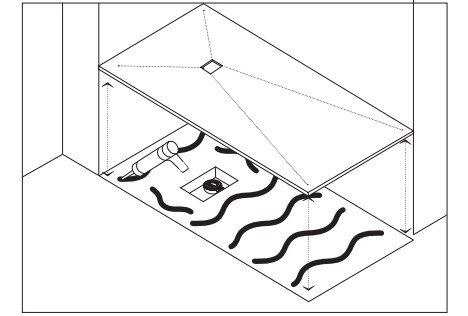


**10**  
Base preparation

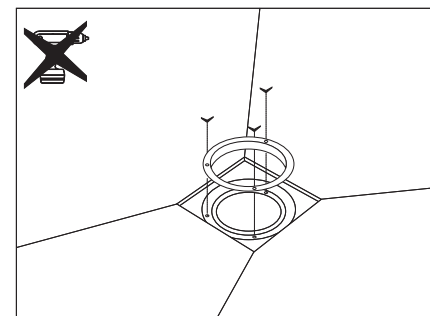
(1) Disassemble the waste trap always using standard screwdriver.



(2) Take off the shower tray.

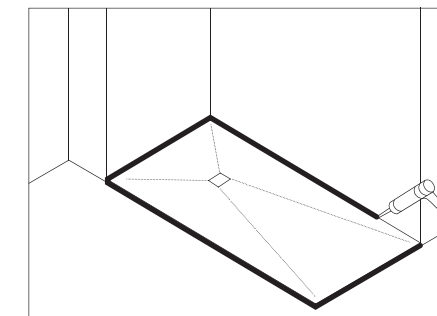


(3) Add adhesive to the wooden base (or wedi type board) base applied in 10mm strips with a distance of 50mm between them and fix the tray to the base checking that it is perfectly level (4 sides checking).



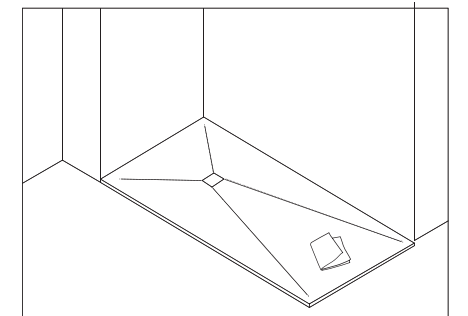
**11**  
Prepare for sealing

(4) Reassemble the 3 screws of the steel ring to the waste trap always using standard screwdriver.



**12**  
Clean up the shower tray

Prepare the base with masking tape before sealing shower tray and walls. Then protect the shower tray with card board until the work is finished and isolate the joints between the shower tray and walls with silicone. Let it dry for 24 hours.



Use soap and a cloth to clean up. NEVER USE A SCOURER (SCOTCH BRITE OR SIMILAR). Don't use solvents, acid or abrasive products. Use gloves, protective mask and glasses.