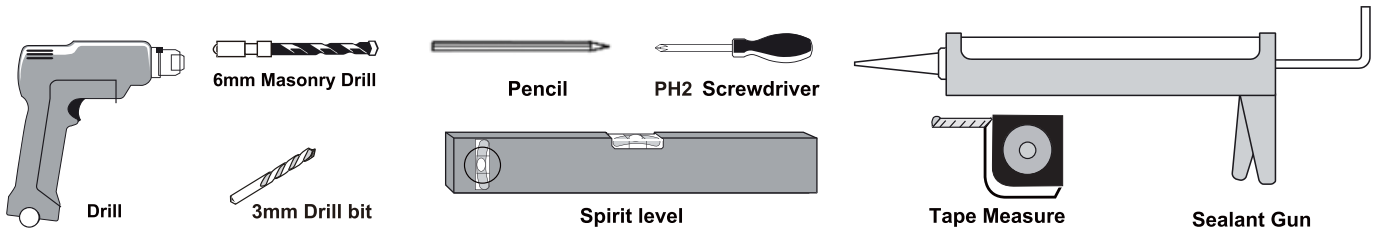
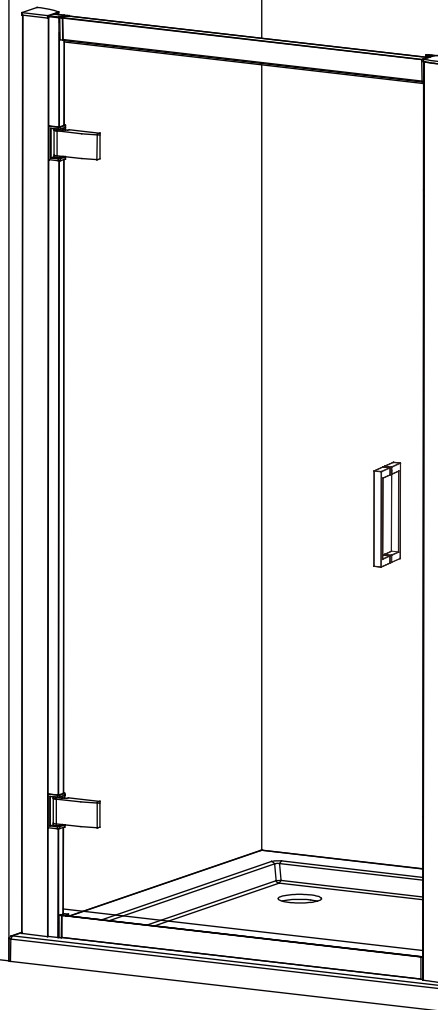


INSTALLATION INSTRUCTIONS

8MM HINGED DOOR



Tools Required (not supplied)



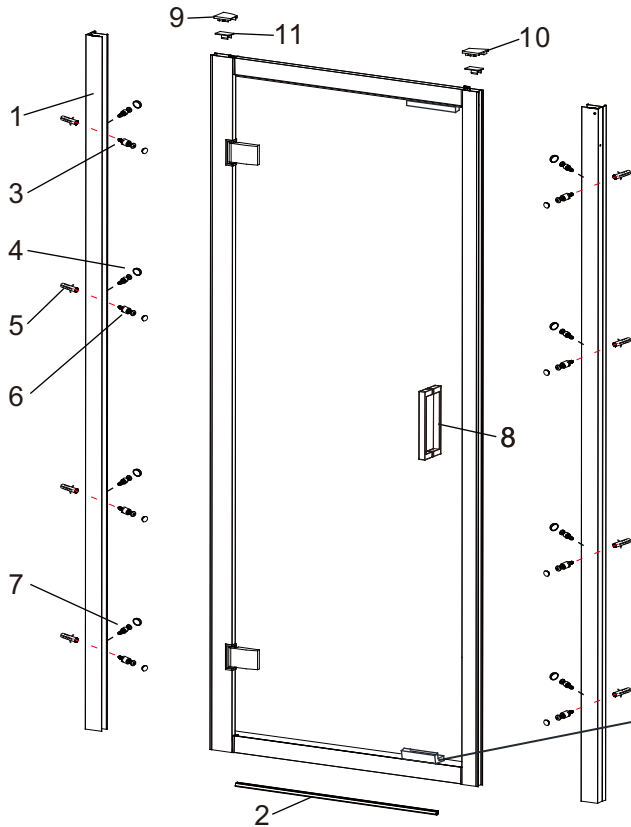
Important Safety/Assembly Instructions

This product should be installed by a suitably qualified and proficient person. The fitting instructions should be followed carefully to ensure a proper and safe installation. Failure to follow these instructions could result in future injury.

These instructions and list of parts assume that installation is done against solid/tiled walls.

Please check this product for damage prior to starting the installation. No claims can be made after the product has been fitted.

PLEASE NOTE :The minimum and maximum adjustment sizes noted on the product brochures are based on perfectly plumb walls and trays.

A

Item	Description	Image	Qty
1	Wall Profile		2
2	Bottom Seal		1
3	Screw Cup		16
4	Screw Cover Cap		16
5	Wall Plugs		8
6	Screw M4x30		8
7	Screw M4x10		8
8	Handle		1
9	Wall Profile Top Cap-LH		1
10	Wall Profile Top Cap-RH		1
11	Vertical Profile Top Cap		2

Note : keep the factory installed foamblocks in place on the top and bottom of the glass. These are to assist in the installation process.

B

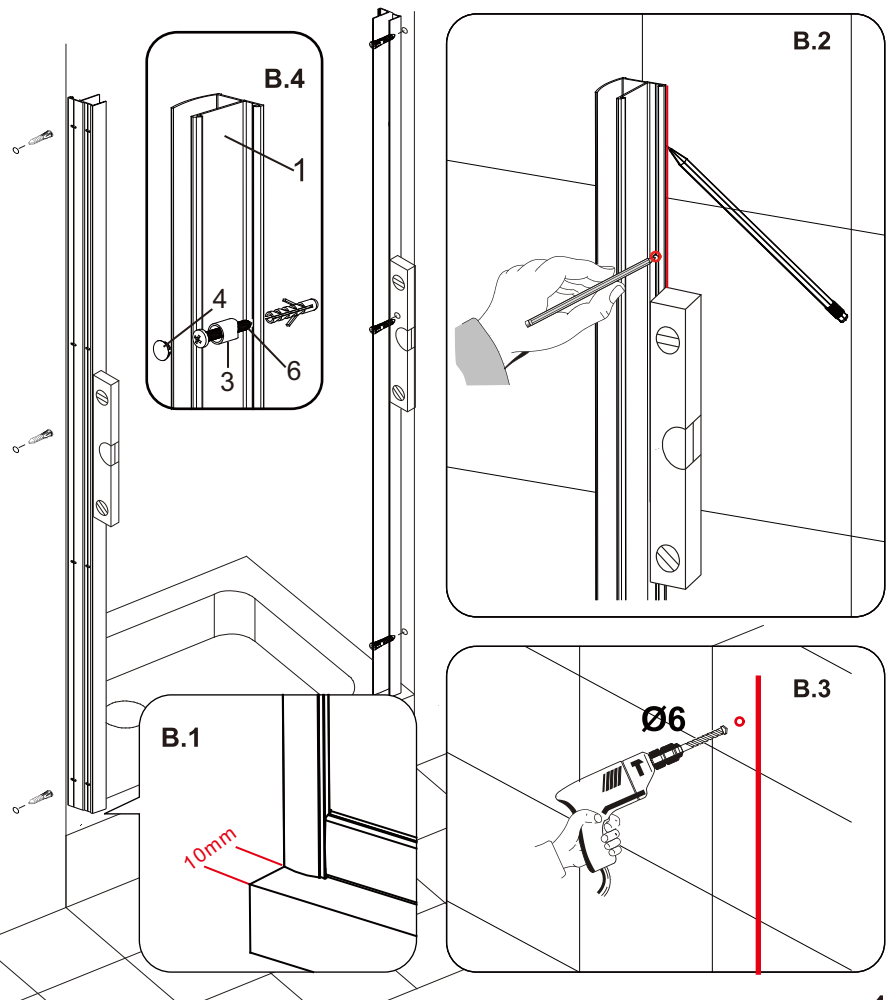
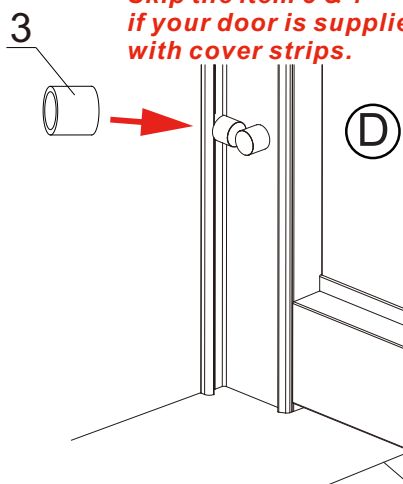
B.1 Place the wall profiles onto the enclosure. Position the enclosure onto the tray. Ideally the enclosure should be positioned 10mm from the edge of the tray as shown. Centralize the enclosure onto the tray top rim and position vertically plumb using a spirit level.

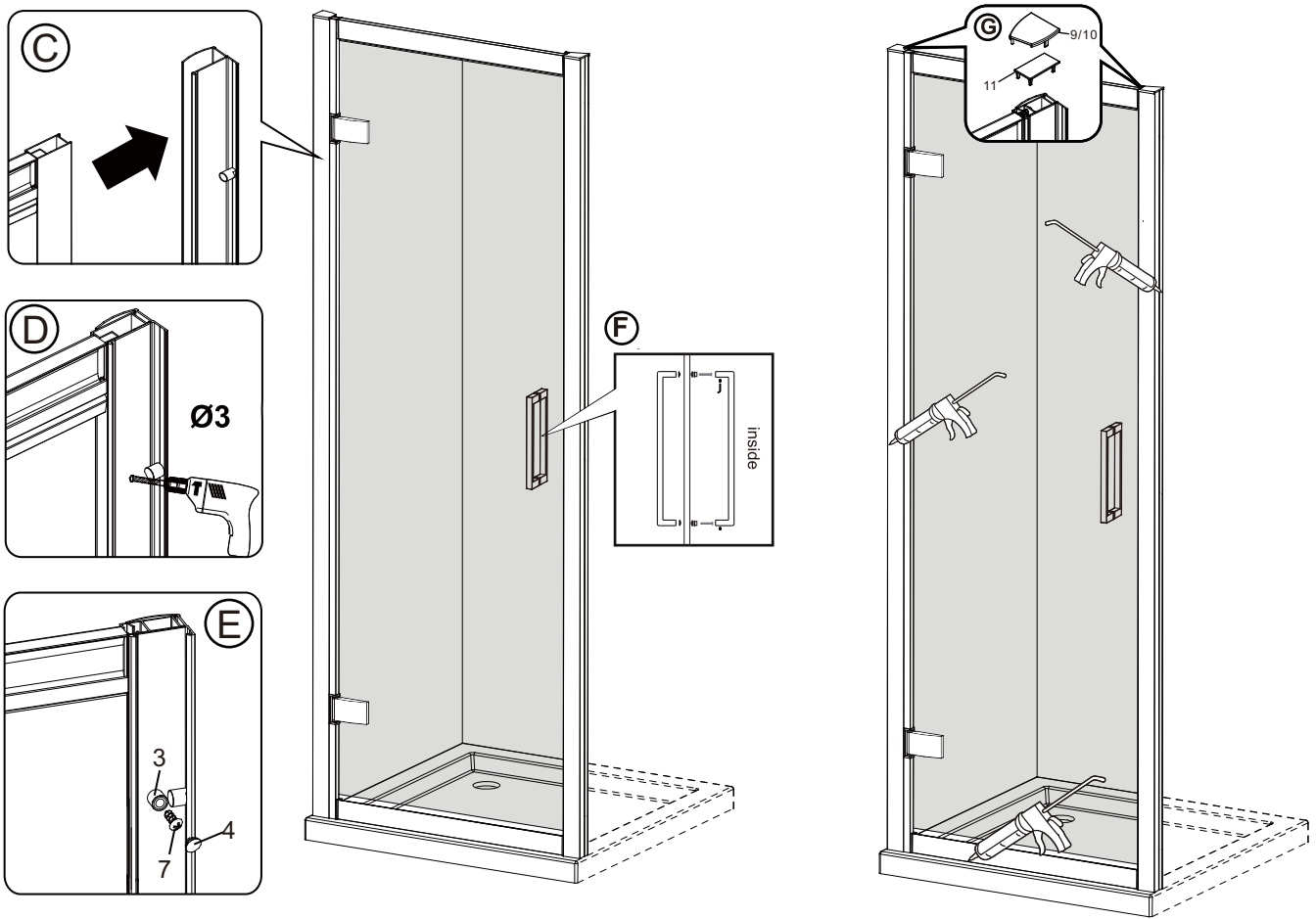
B.2 Mark the position for fixing the wall profile using a pencil or a water soluble pen as shown.

B.3 Remove the enclosure then drill the holes to the wall using $\varnothing 6$ drill bit as shown.

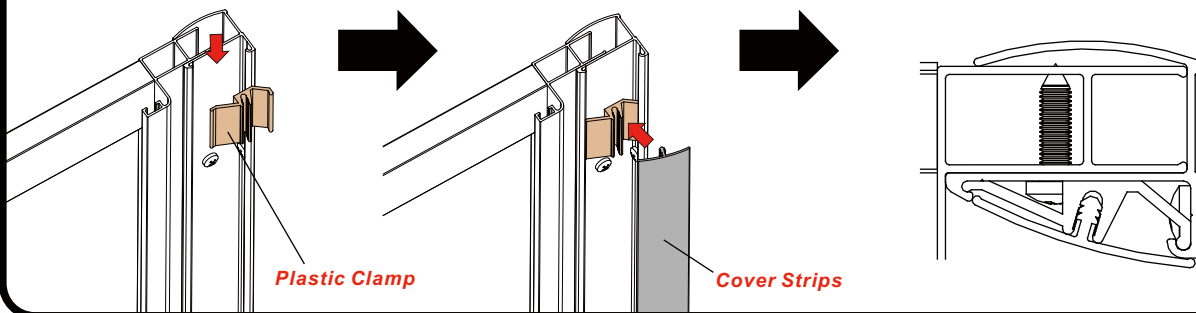
B.4 Insert the wall plugs into the wall holes. Then Secure the wall profile using ST 4 x 30 screw and Screw Cup. Then put the Screw cap on to hide the screw head.

3 Skip the item 3 & 4 if your door is supplied with cover strips.





OPTIONAL ACCESSORIES



Tips - In cold weather the seal may be more difficult to fit. In this case it is advisable to warm the seal in some warm soapy water to make it more pliable.

Applying Silicone Sealant

Sealing Inside

Seal from the top of the wall profile to the bottom on the **INSIDE** between the wall profile and the wall.

IMPORTANT: Do not apply sealant on inside of tray.

Sealing Outside

Seal only along the bottom rail and glass on the **OUTSIDE** between the profile /glass and the tray. Also up between the wall profile and the wall.

Seal also the joints between the bottom profile and any upright profiles.

