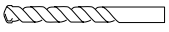
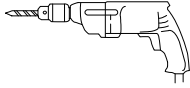
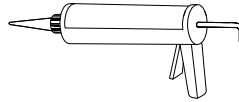


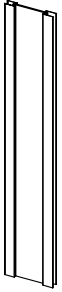
Ø6mm



Ø2.8mm

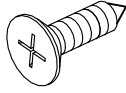


1



X1

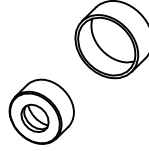
2



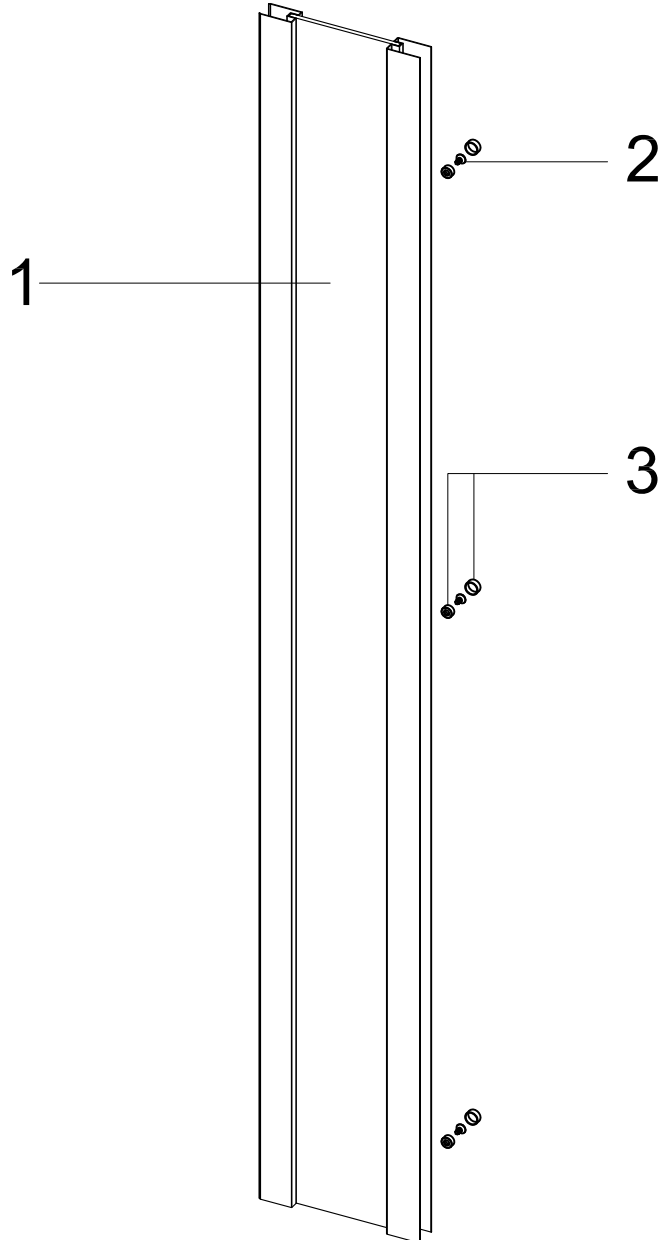
ST3.5X10

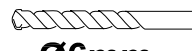
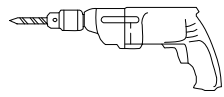
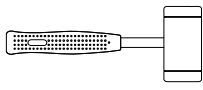
X3

3

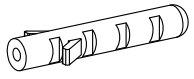


X3

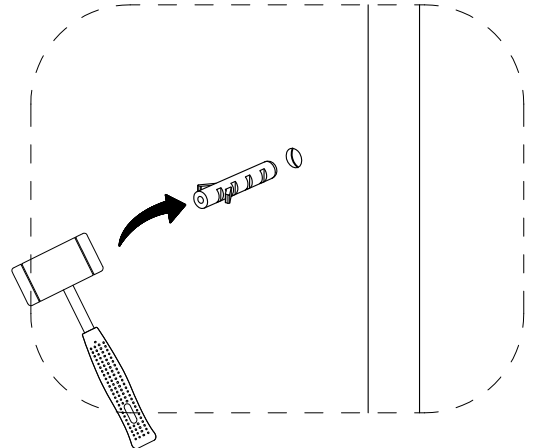
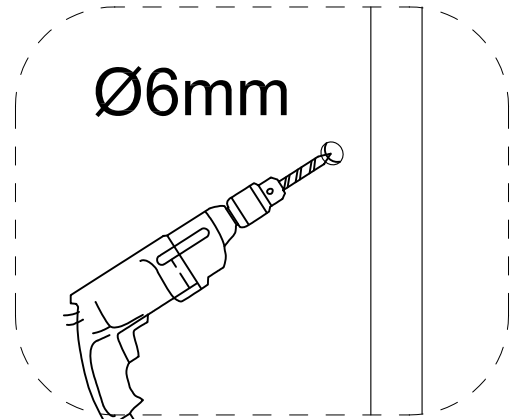
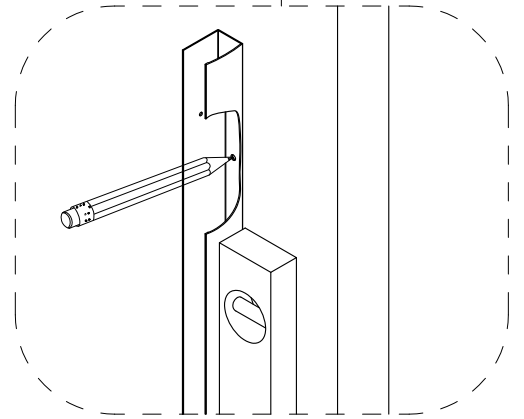
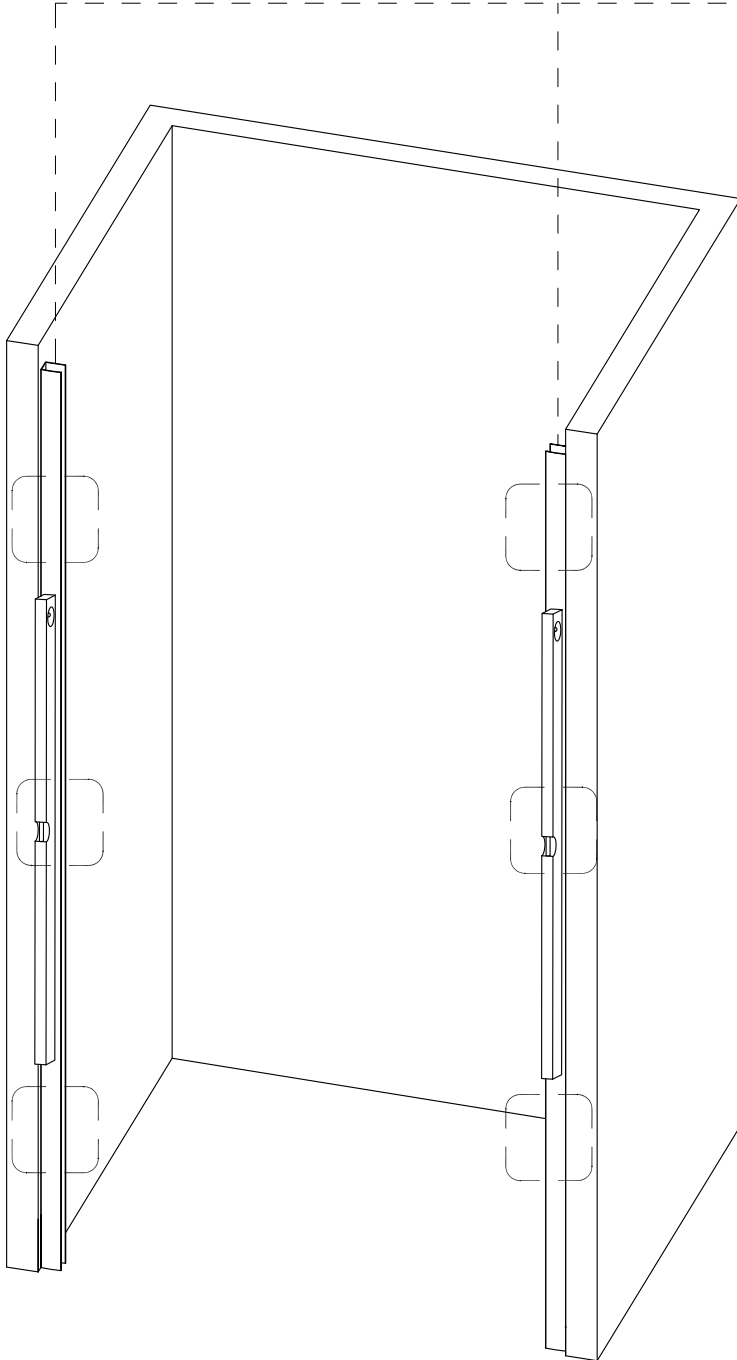


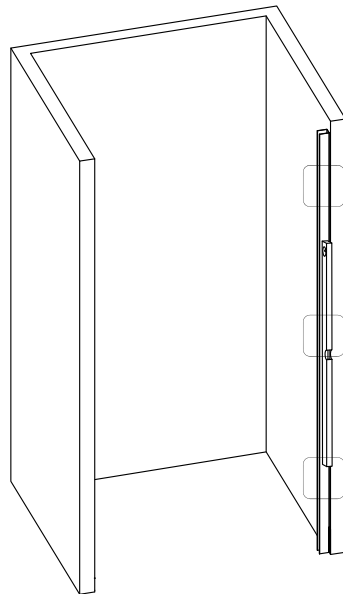
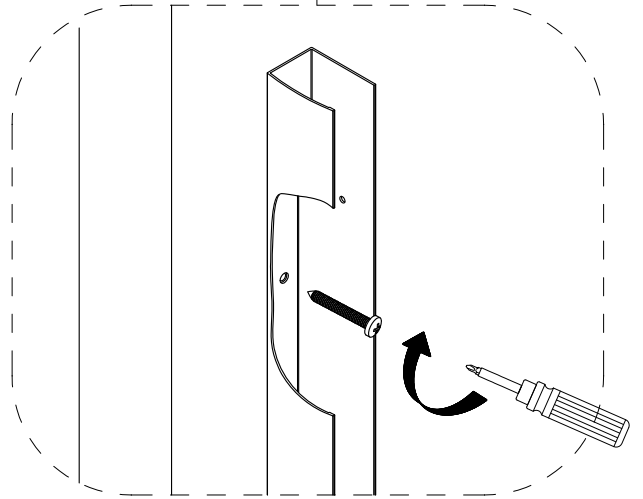
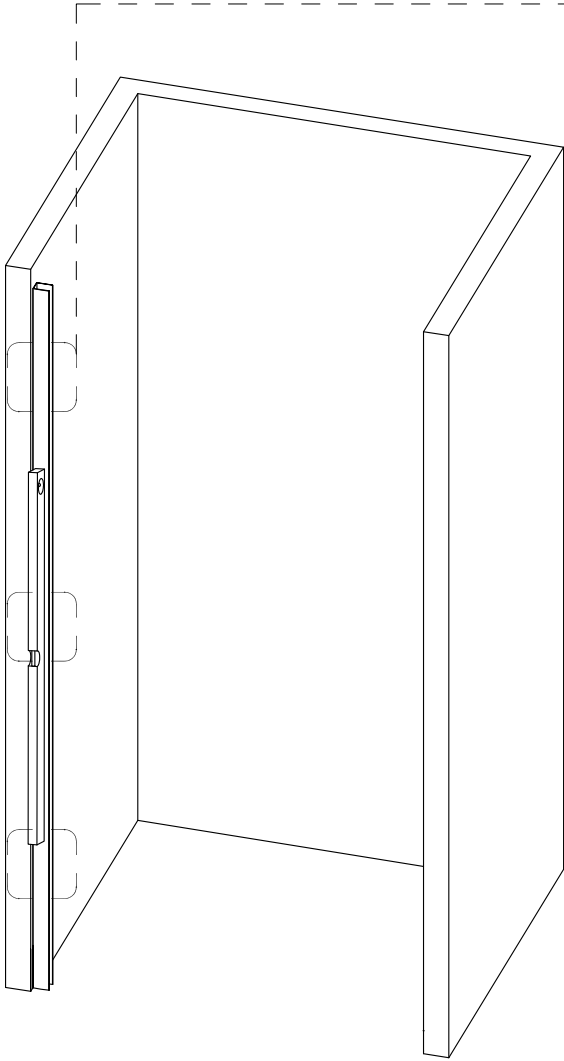
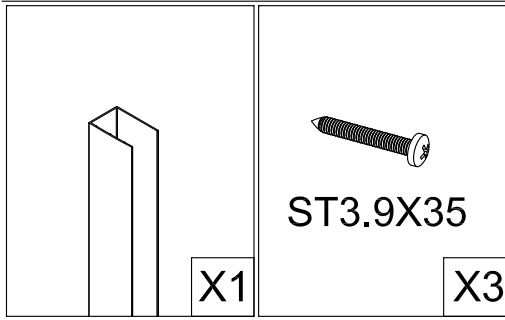
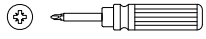


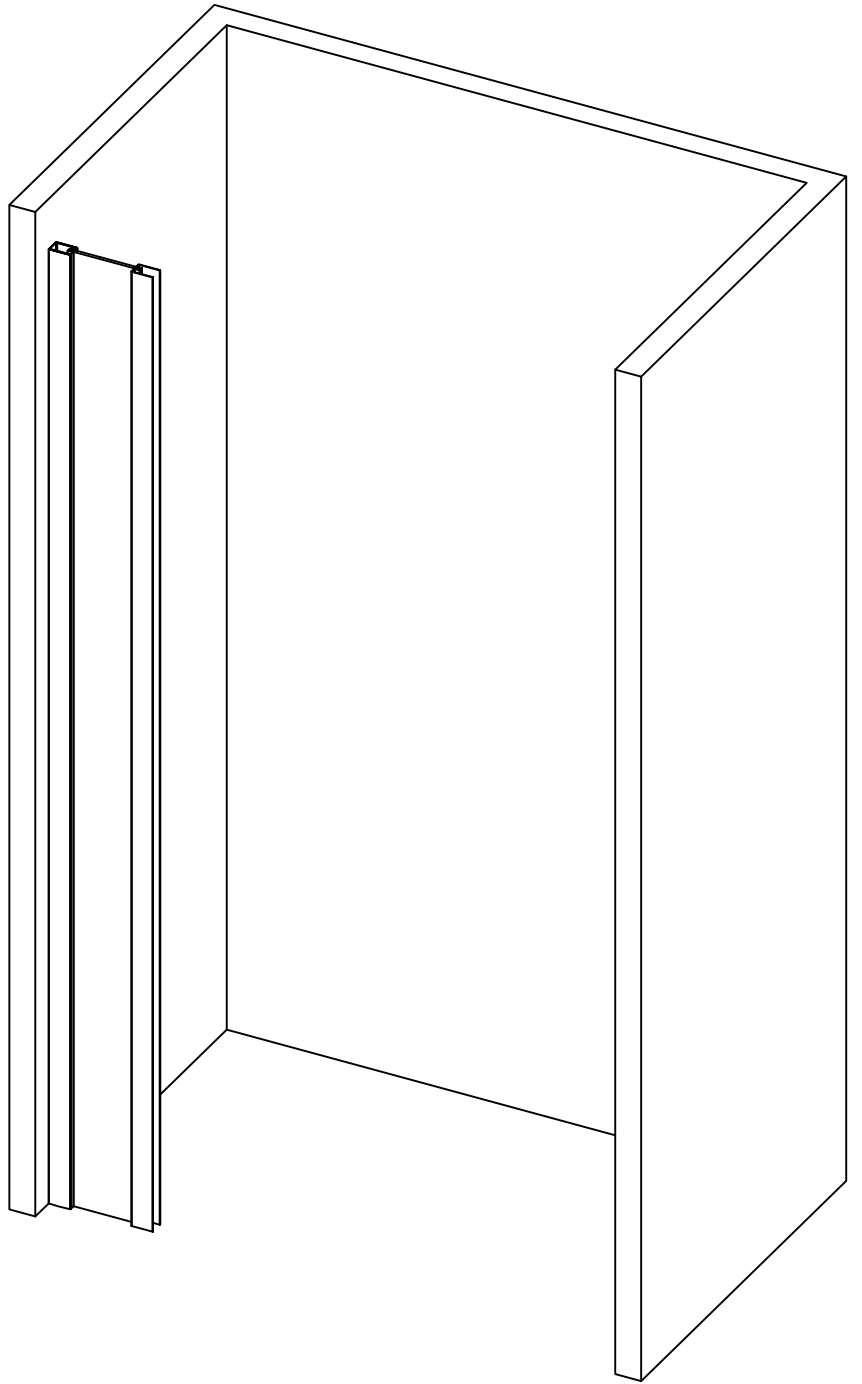
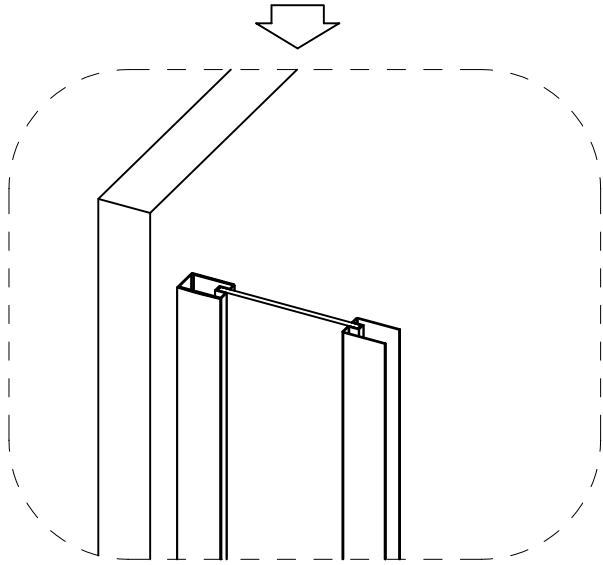
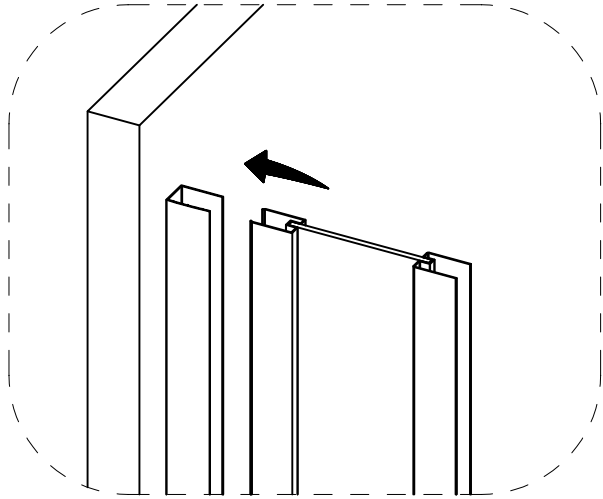
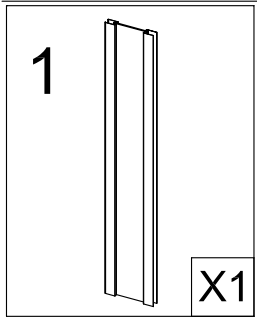
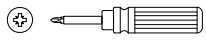
Ø6mm

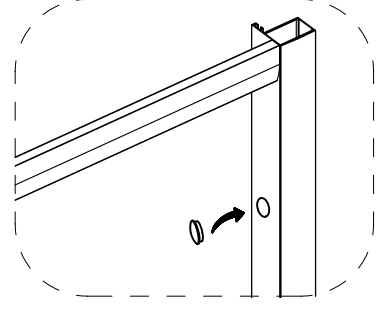
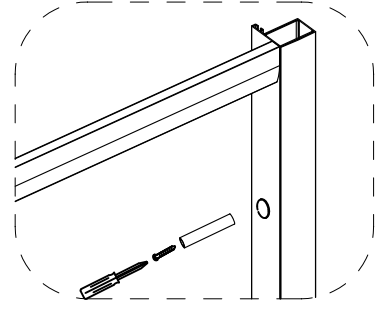
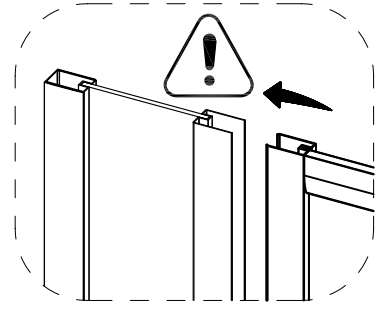
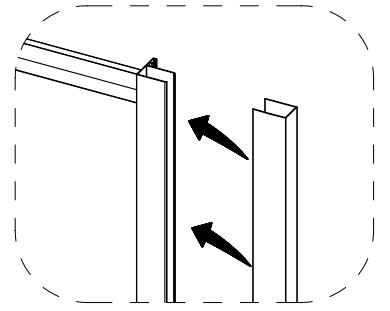
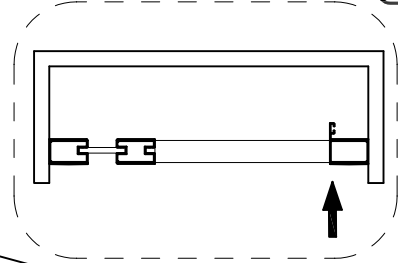
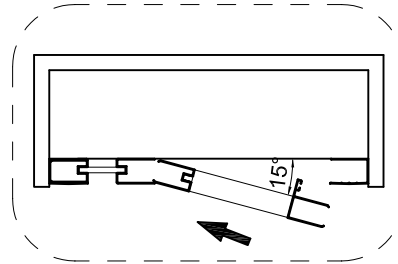
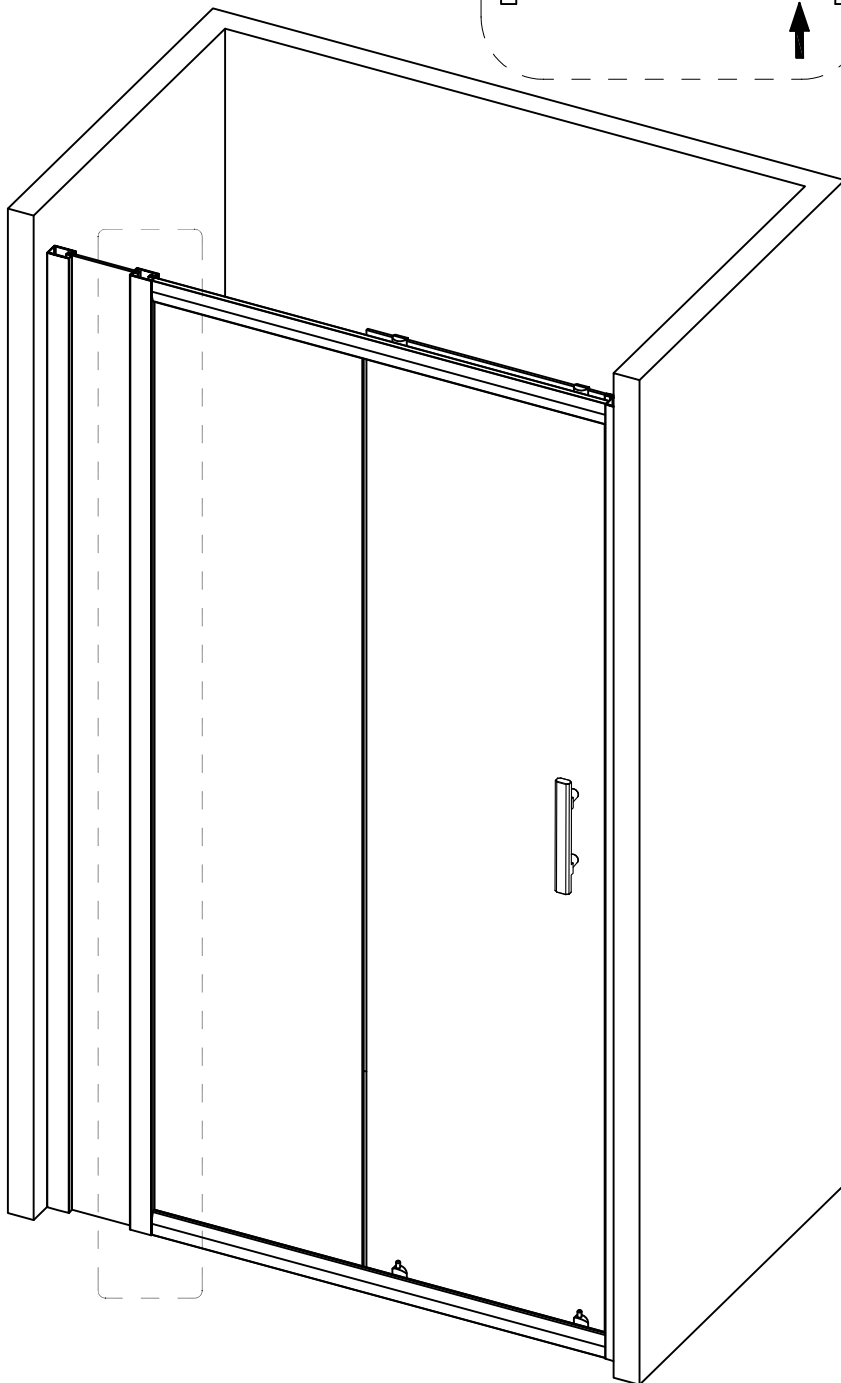
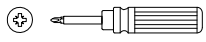


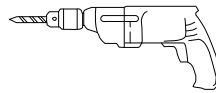
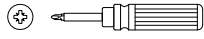
X6



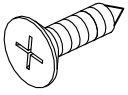








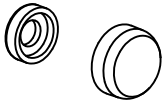
2



ST3.5X10

X3

3



X3

