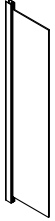


Ø6mm

Ø2.8mm

1



X2

2



X2

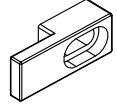
3



ST3.9X35

X14

4



X4

5



BT3.9X10

X4

6



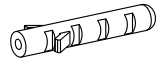
X2

7



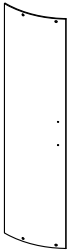
X2

8



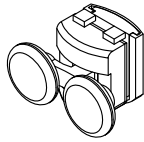
X6

9



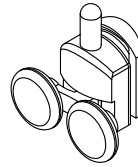
X2

10



X4

11



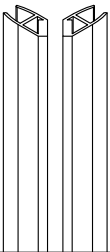
X4

12



X2

13



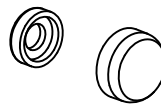
X1

14



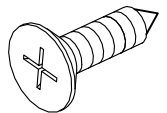
X2

15



X6

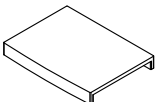
16



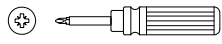
ST3.5X10

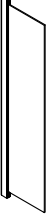


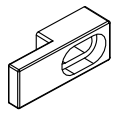

X6

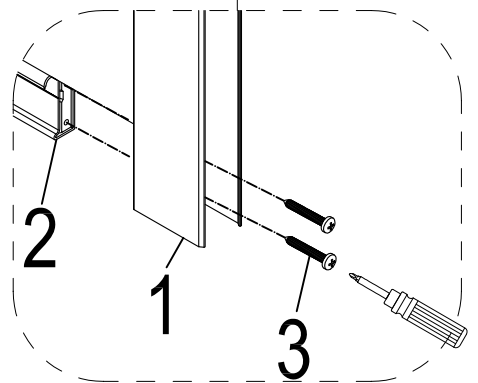
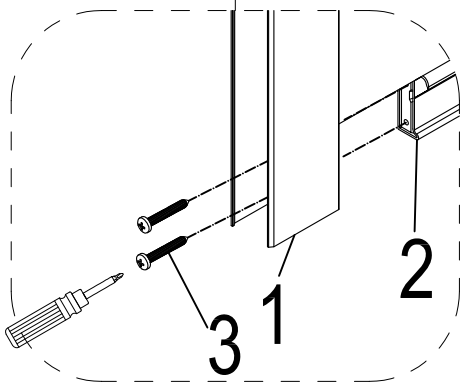
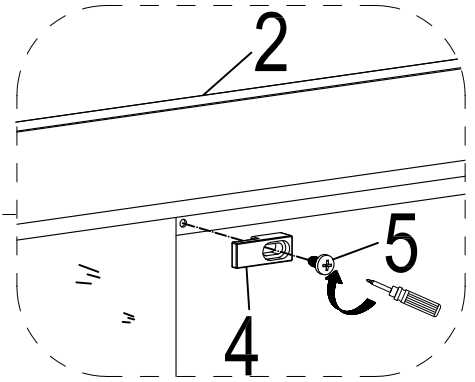
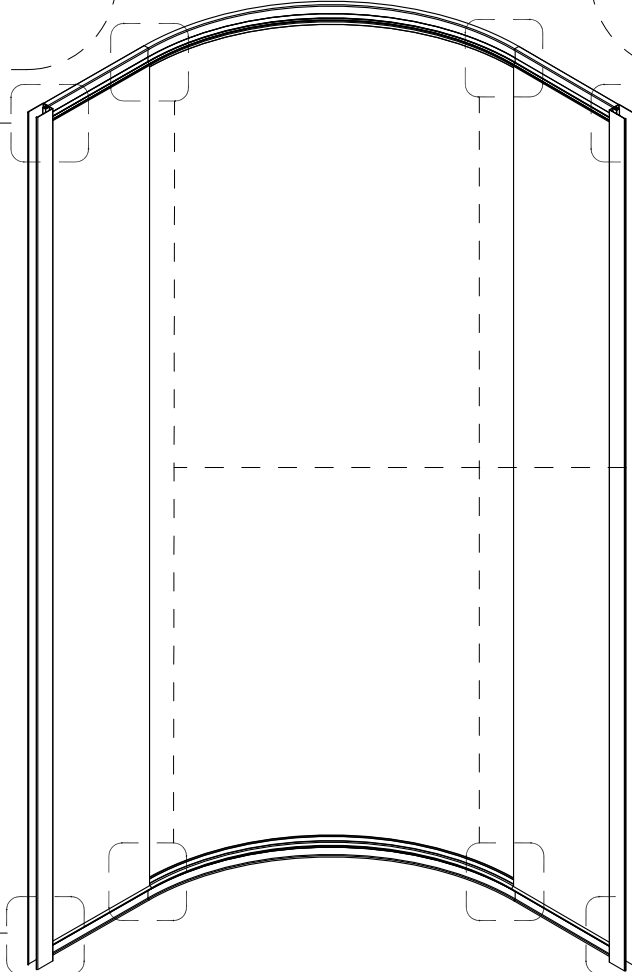
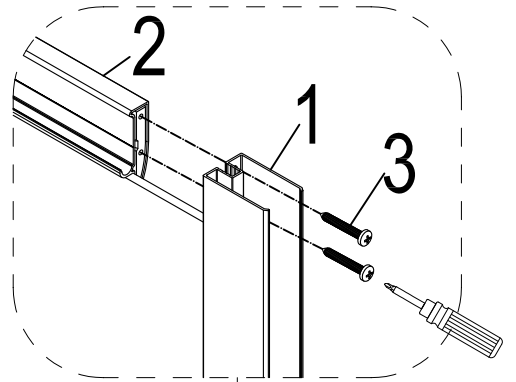
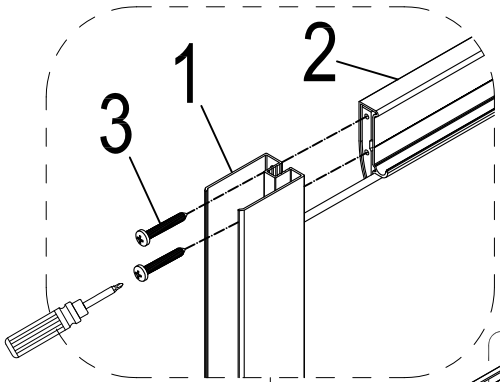
17

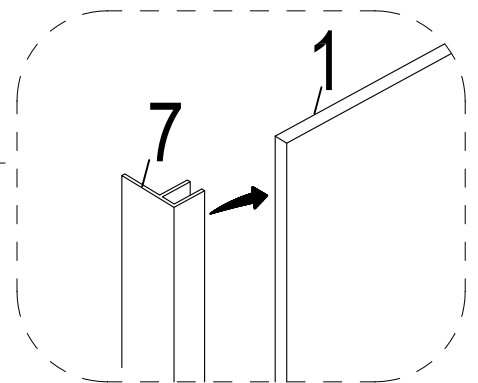
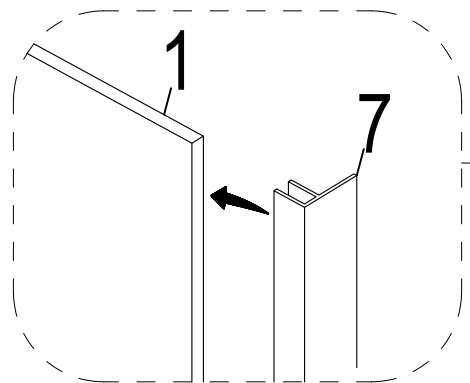
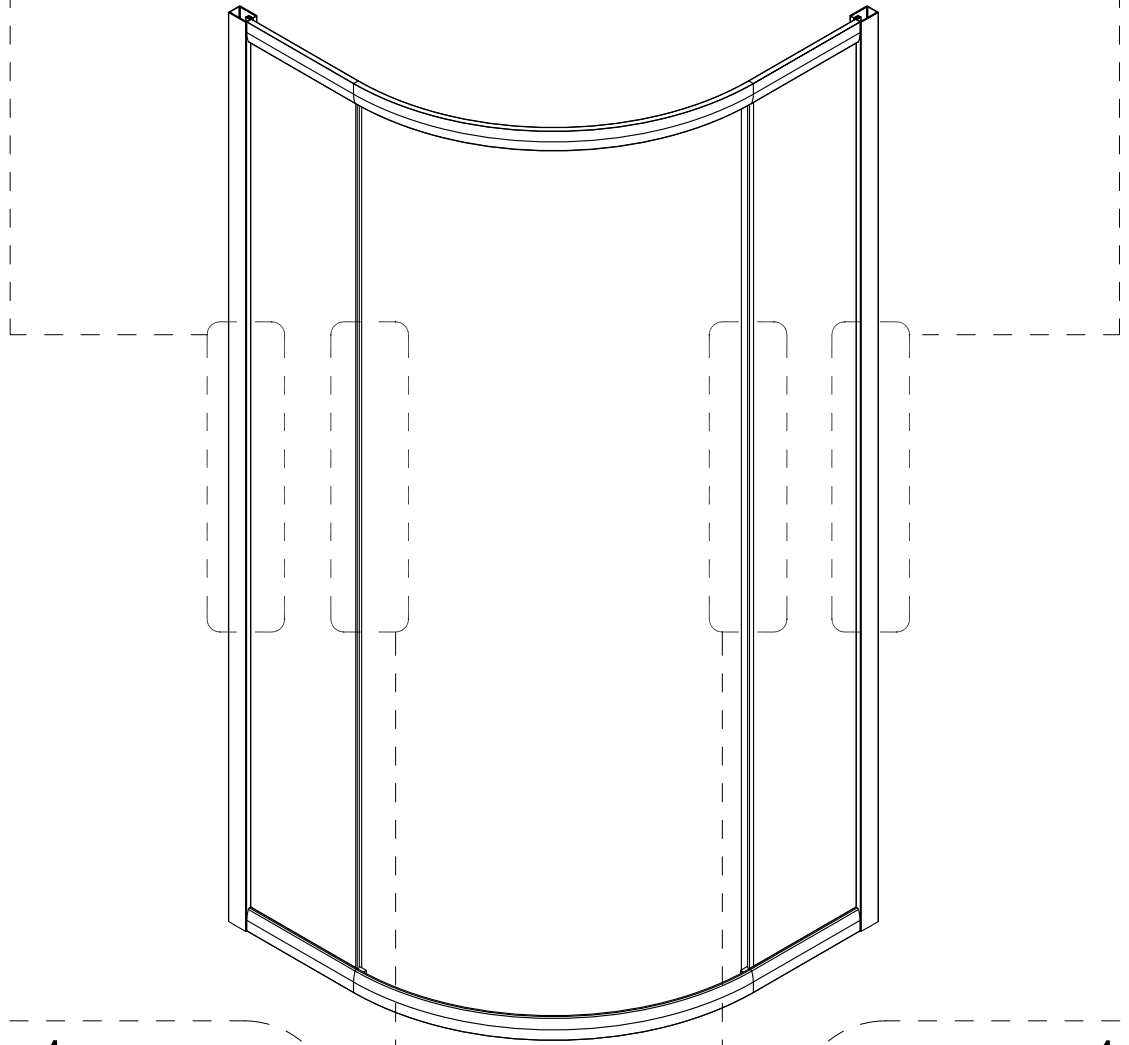
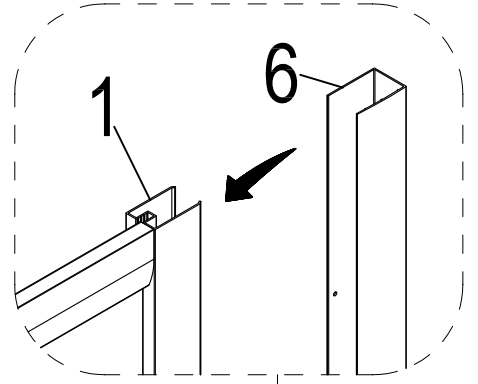
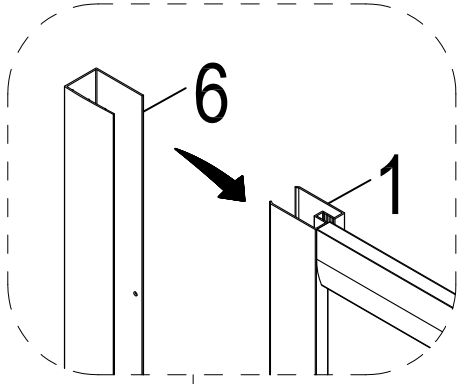
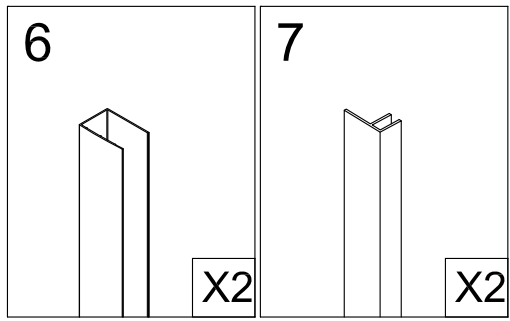


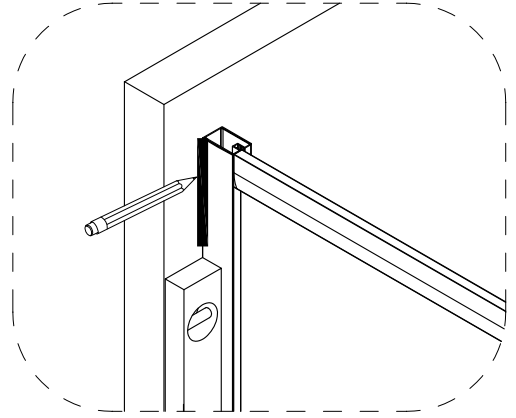
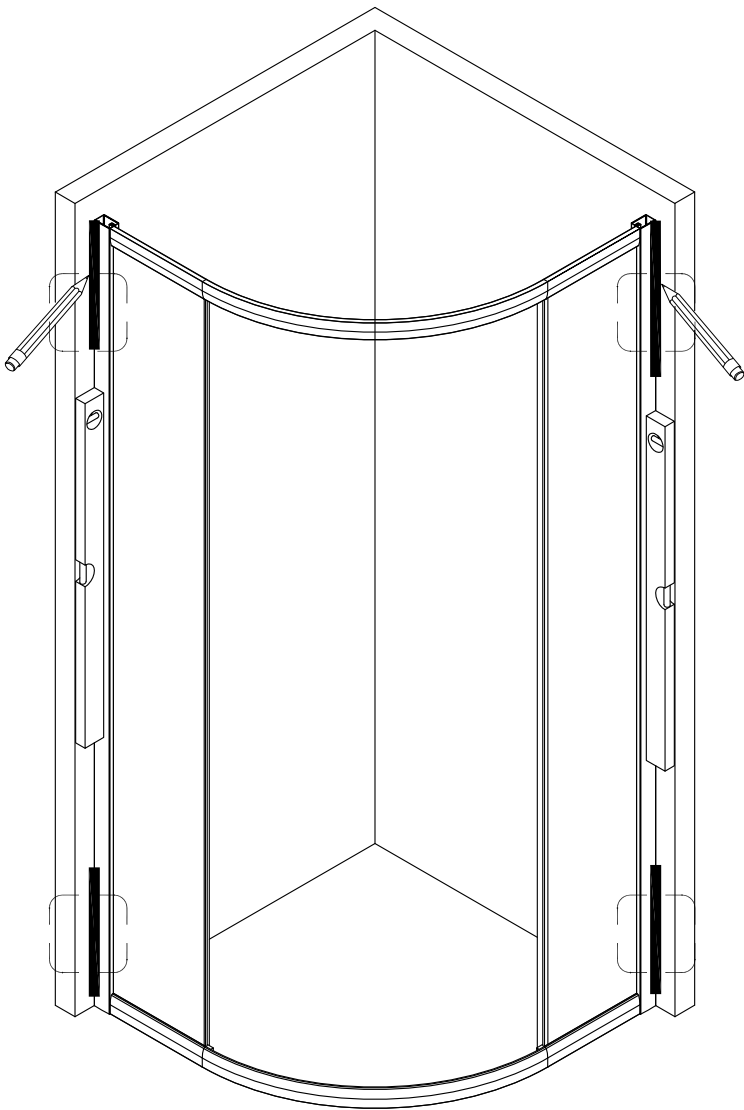
X2

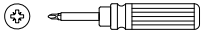
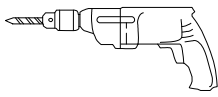
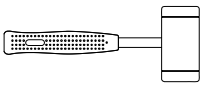


1  X2	2  X2	3  ST3.9X35 X8	4  X4	5  BT3.9X10 X4
--	--	--	--	--

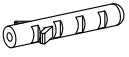








8



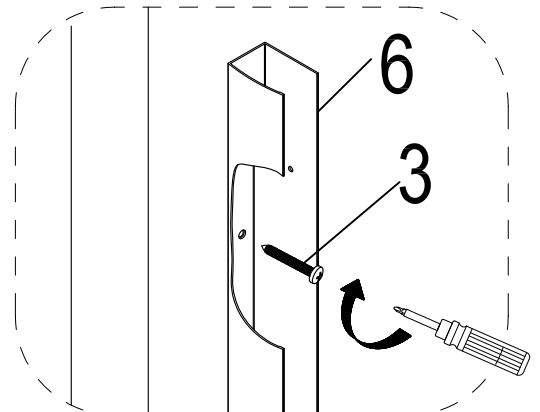
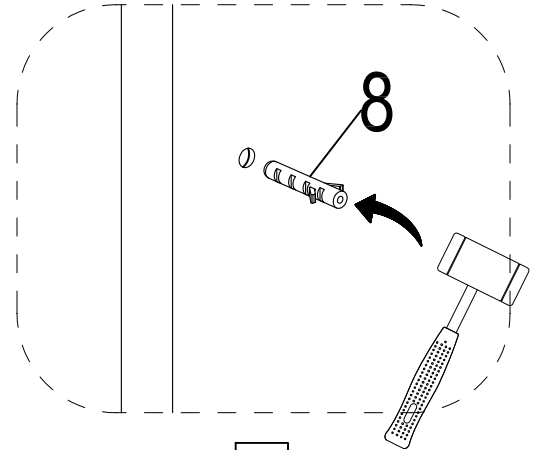
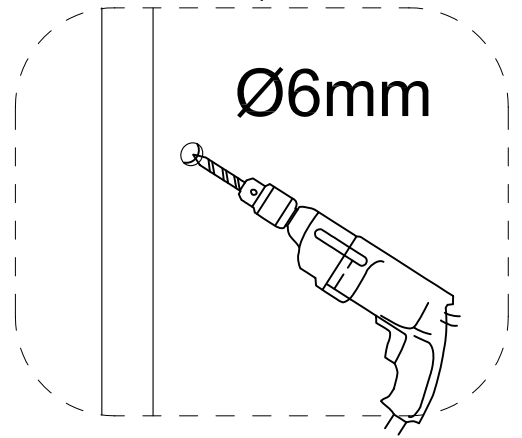
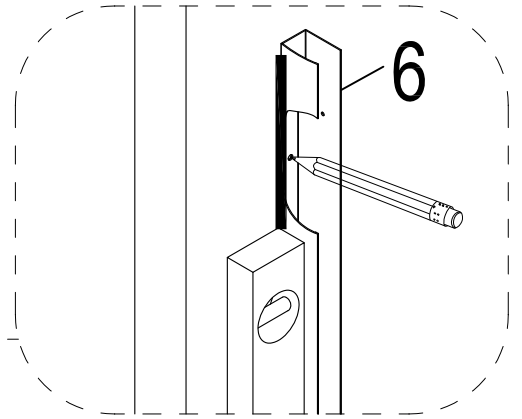
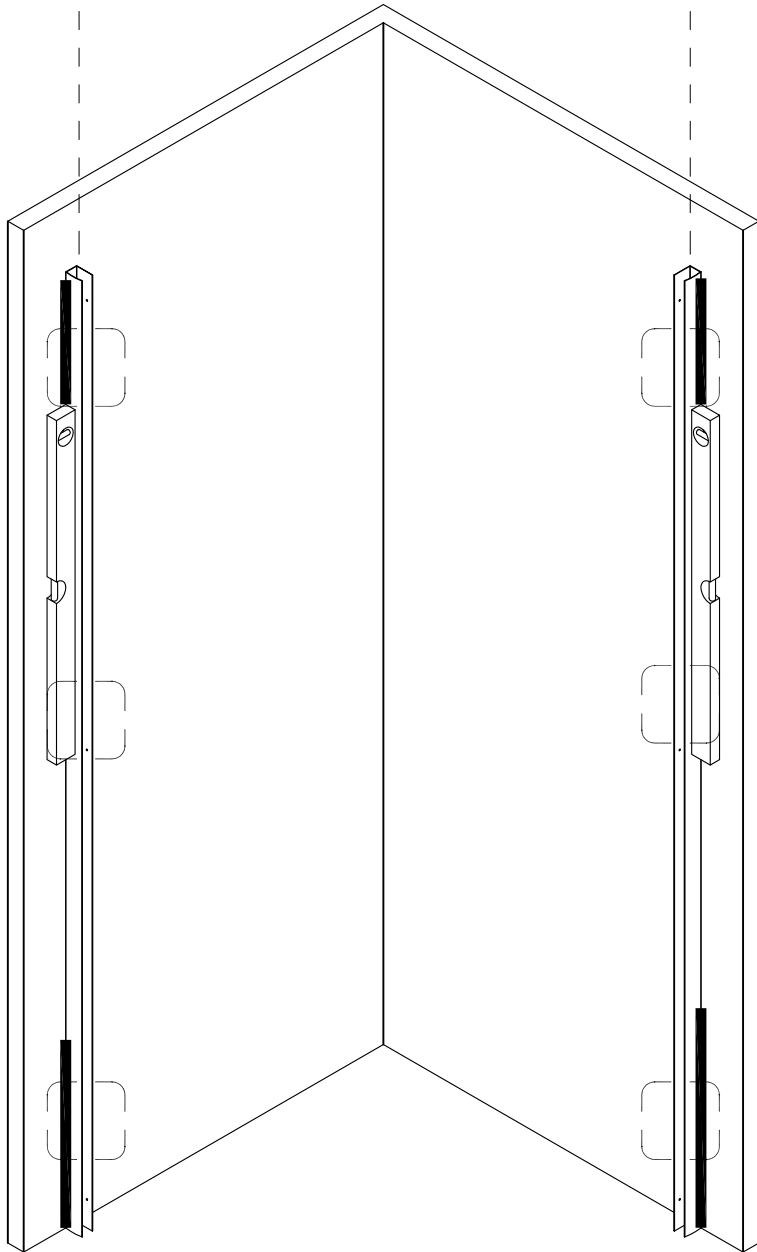
X6

3

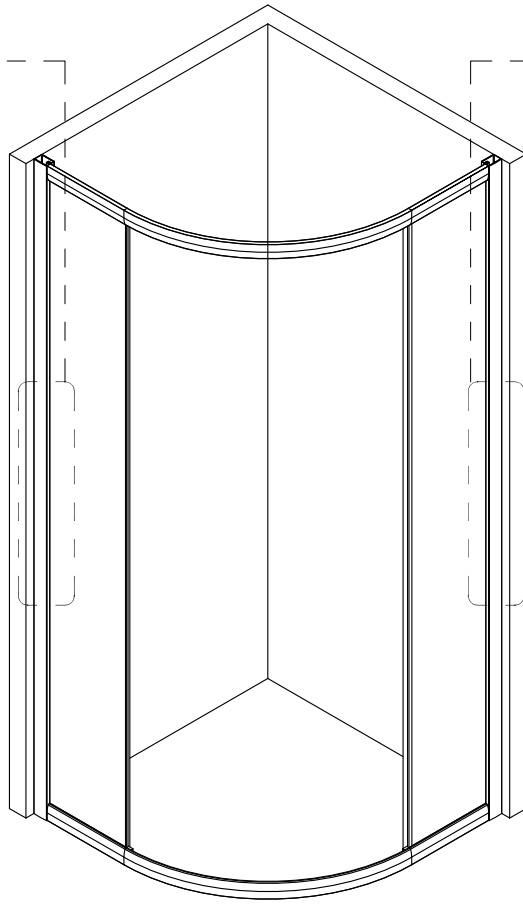
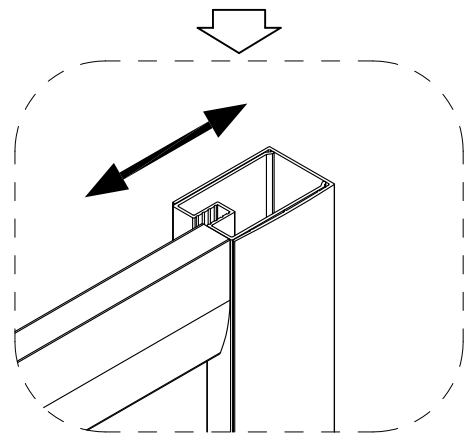
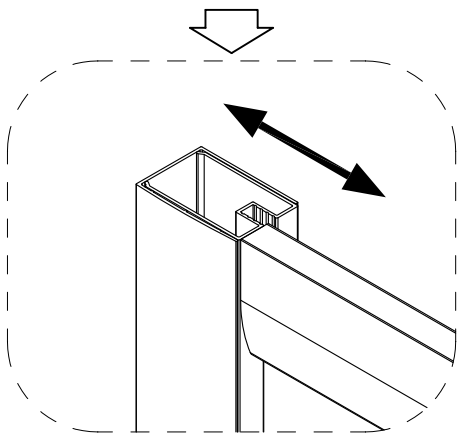
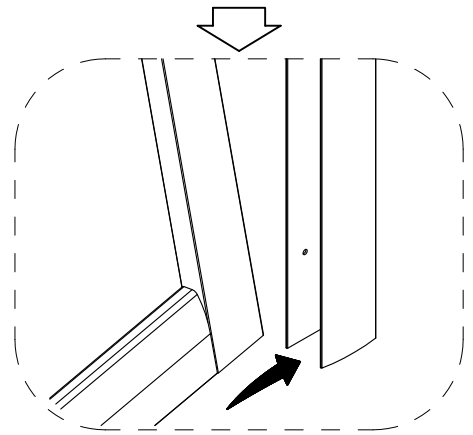
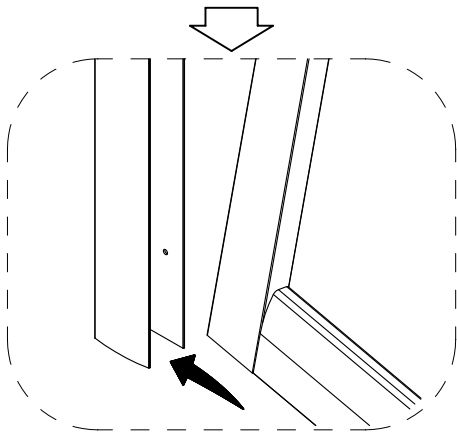
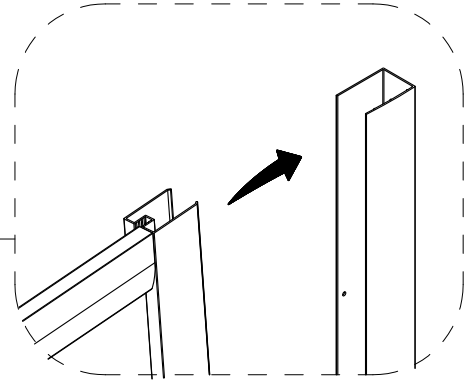
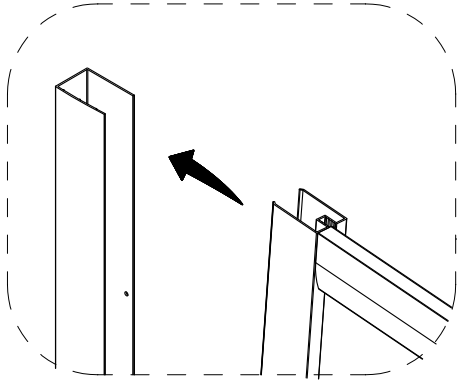


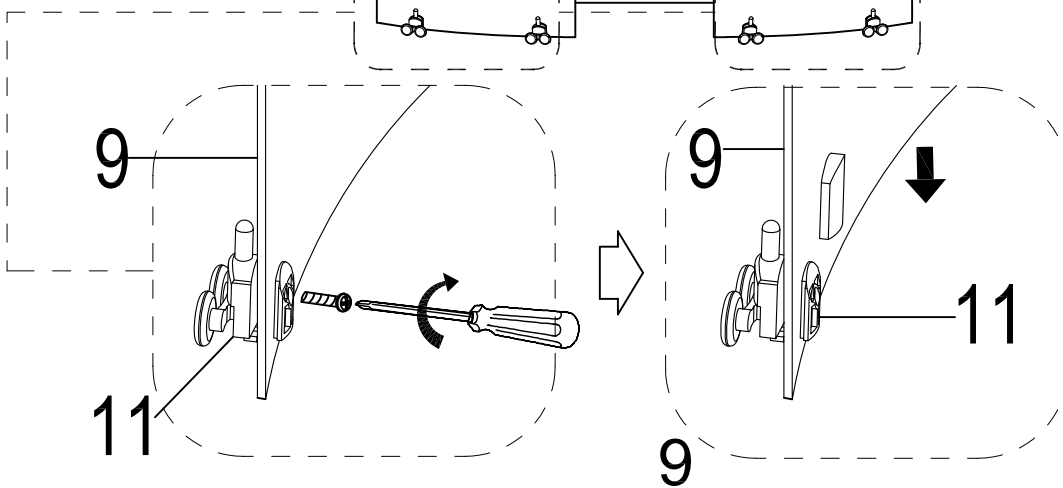
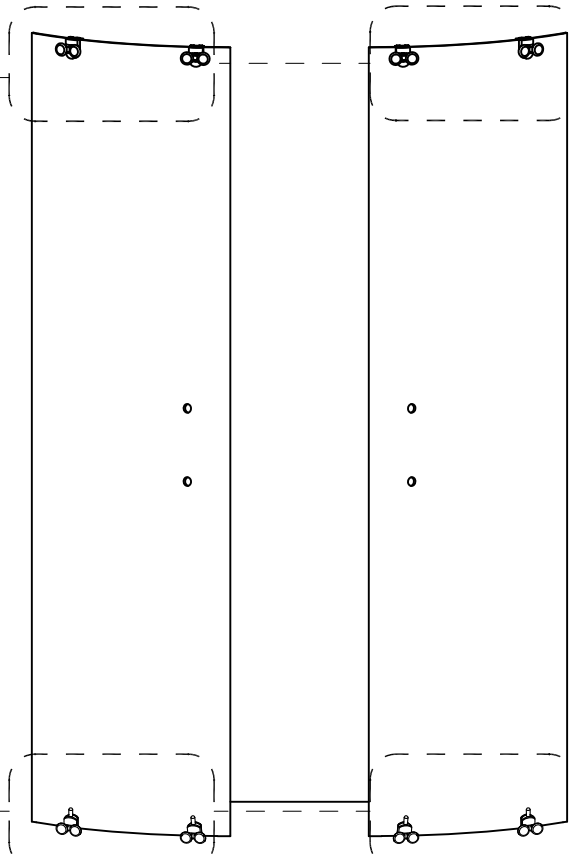
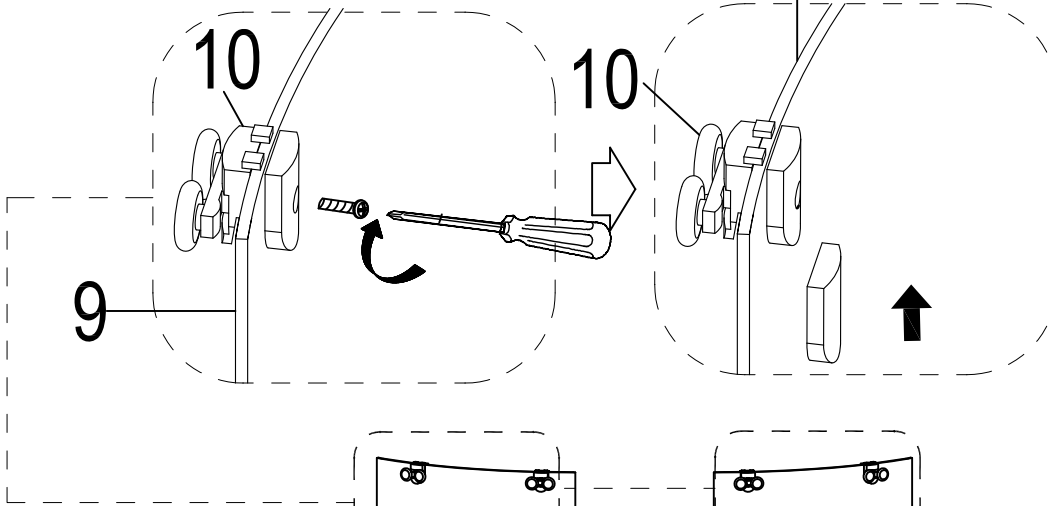
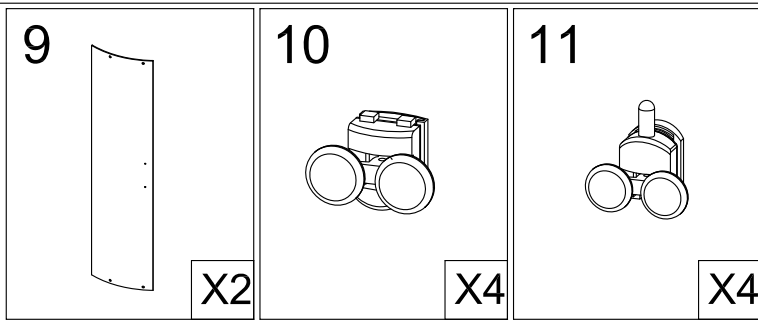
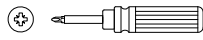
ST3.9X35

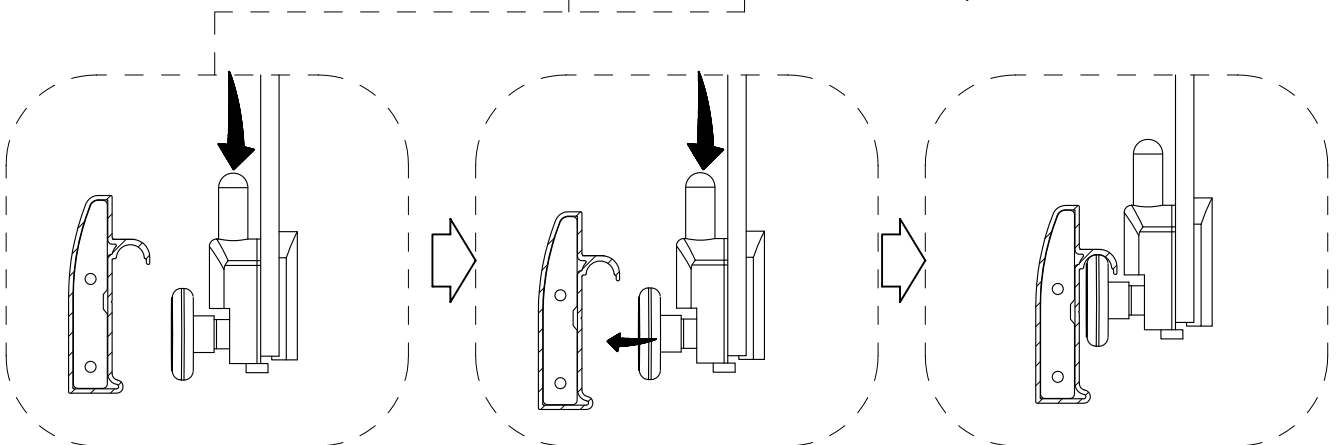
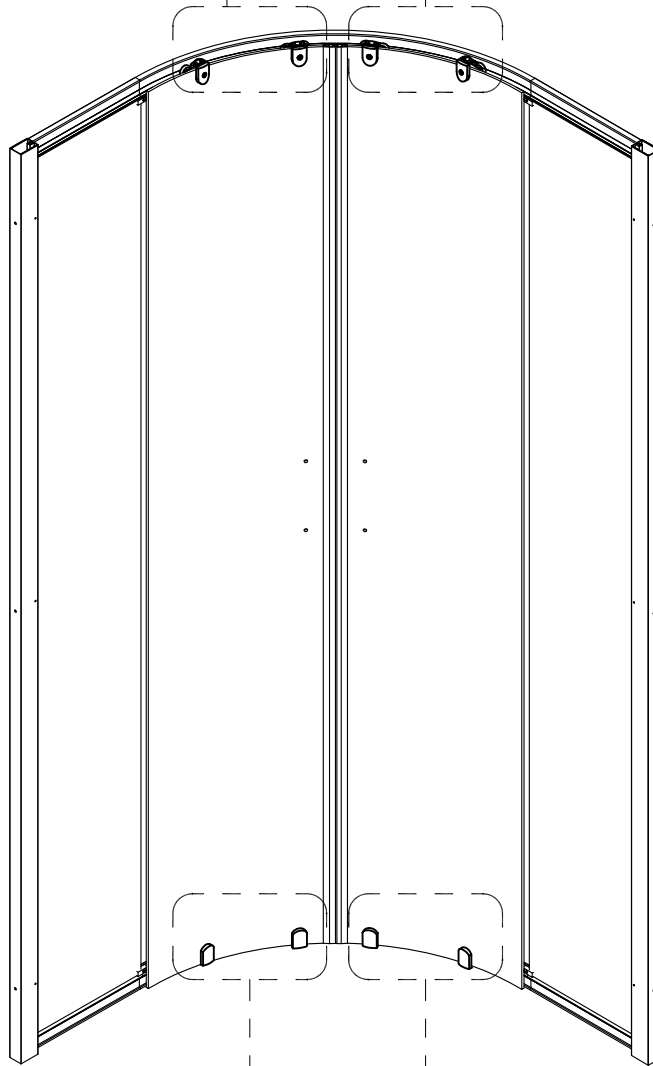
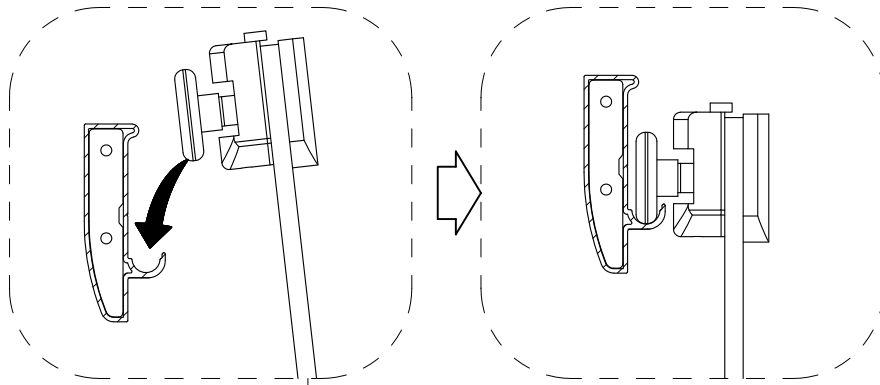
X6

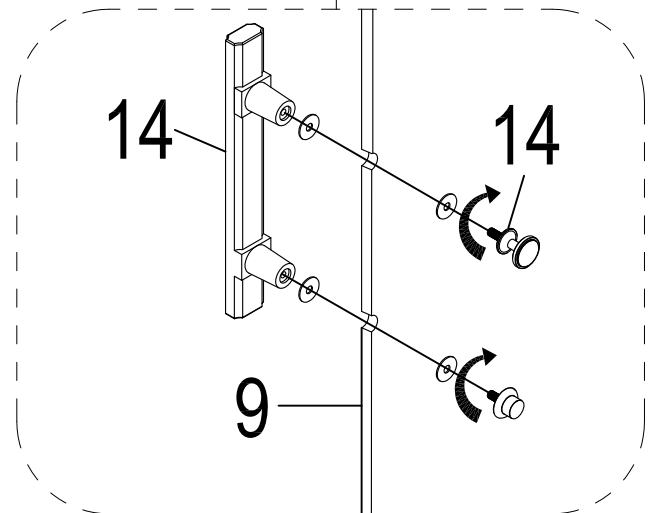
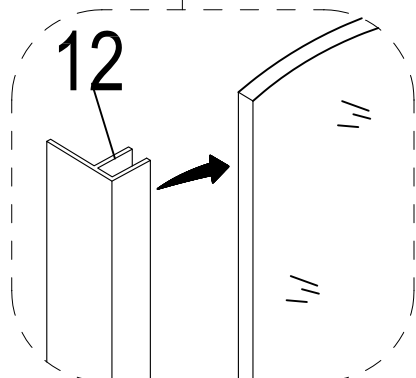
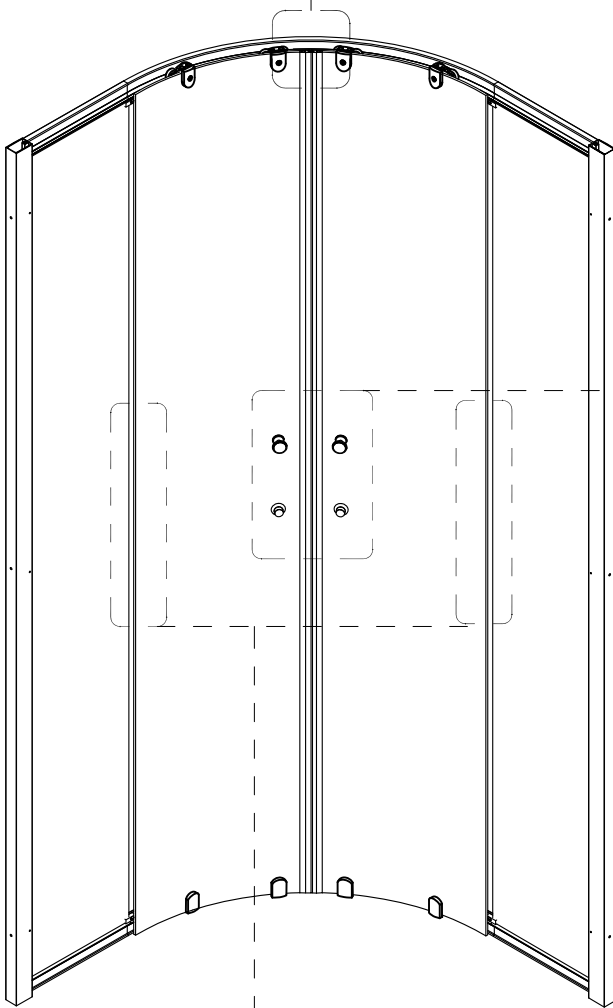
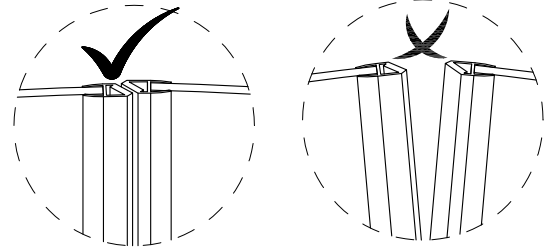
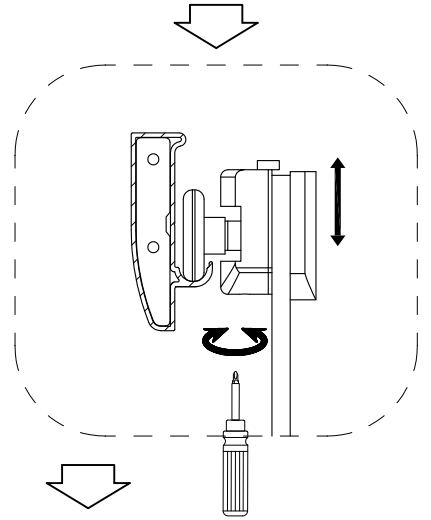
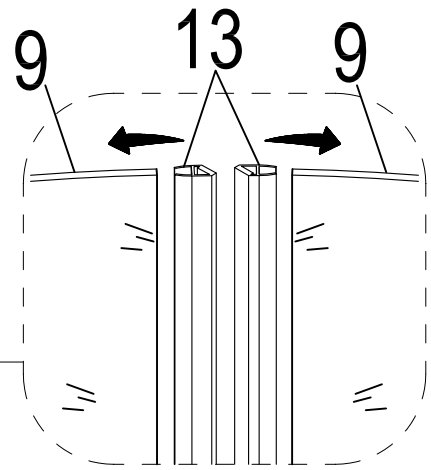
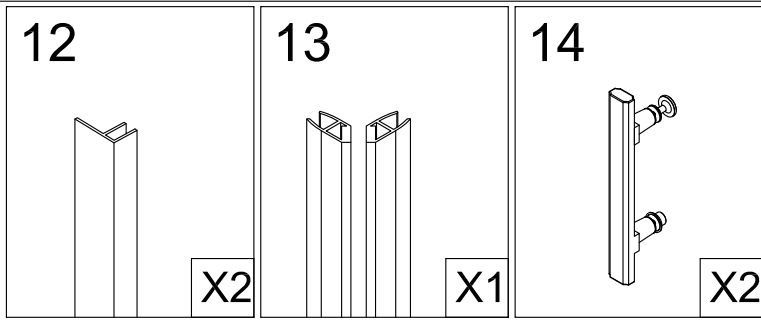
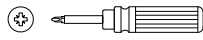


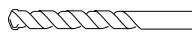
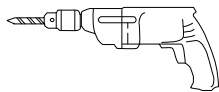
7





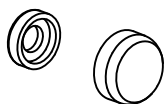






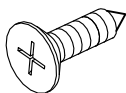
Ø2.8mm

15



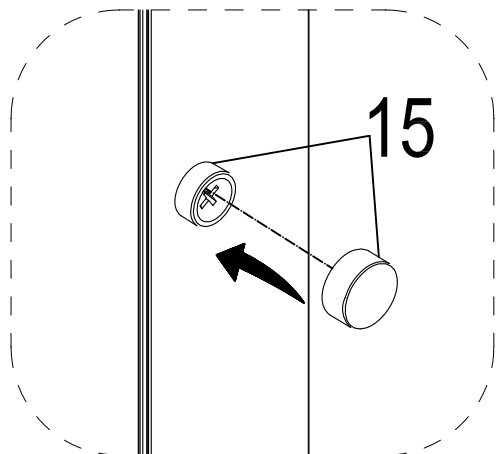
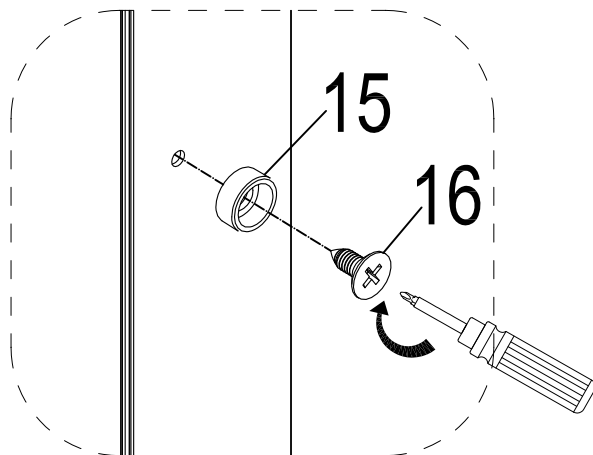
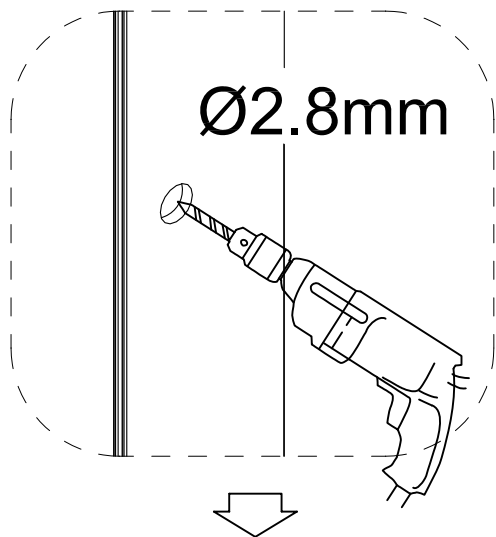
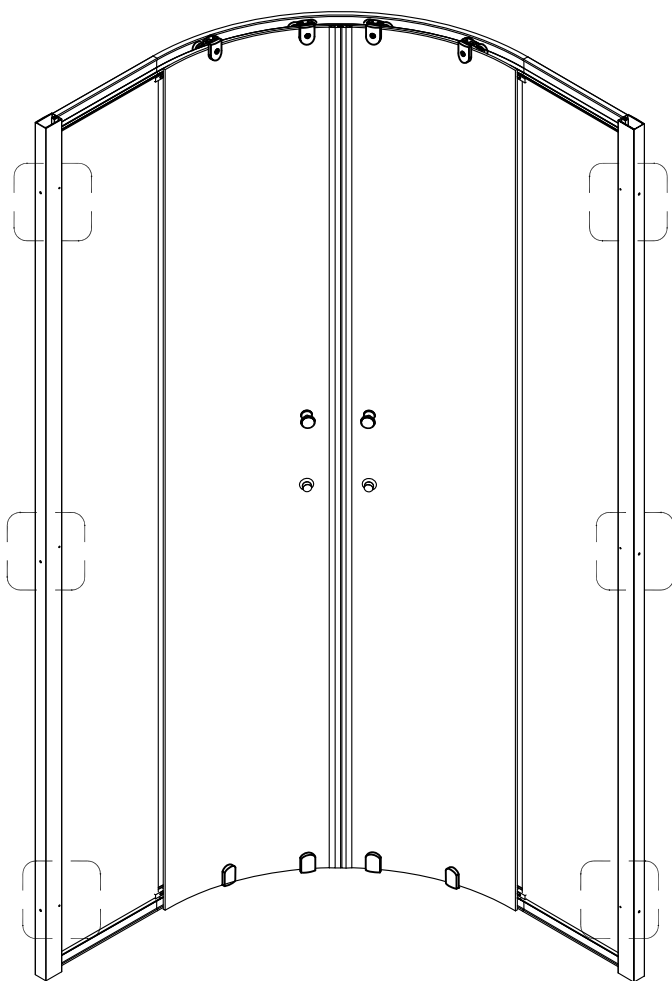
X6

16

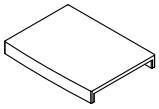


ST3.5X10

X6



17



X2

